

# Adapters for Roth Tanks



**IMPORTANT** — Orenco strongly recommends watertightness testing of all access riser-to-tank connections after installation.

## 24in (600mm) Adapter Installation

Orenco's FRTA24-RVF tank adapter requires the FRTA24-RBDKIT bolt-down kit, which contains screws and a sealant tape gasket for securing the adapter to tanks manufactured by Roth North America.

### Step 1. Drill Pilot Holes

**Step 1a.** Center the adapter in the tank opening.

**Step 1b.** Use the eight predrilled holes in the adapter as guides to drill 1/4in (6.35mm) pilot holes through the tank.



**Key Point** — Be careful not to widen the holes in the adapter.

**Step 1c.** Remove the adapter and set it aside.

### Step 2. Clean Tank Opening and Apply Sealant

**Step 2a.** Wipe the tank opening with a clean cloth and acetone.

**Step 2b.** Apply a ring of the sealant tape gasket around the tank opening against the lip of the tank opening, inside the circle of pilot holes.

- Abut the ends of the tape together.

### Step 3. Secure Tank Adapter

**Step 3a.** Remove the protective strip from the sealant tape gasket.

**Step 3b.** Place two screws in the adapter to use as guides to find the pilot holes.

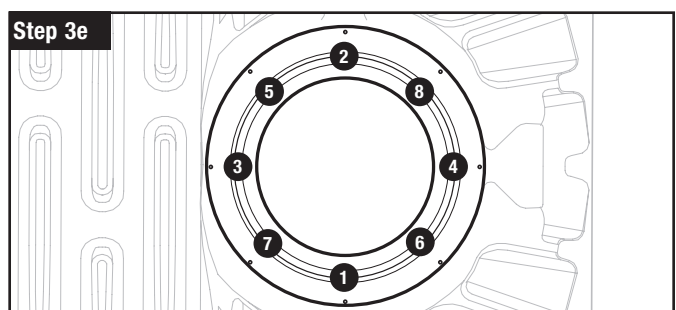
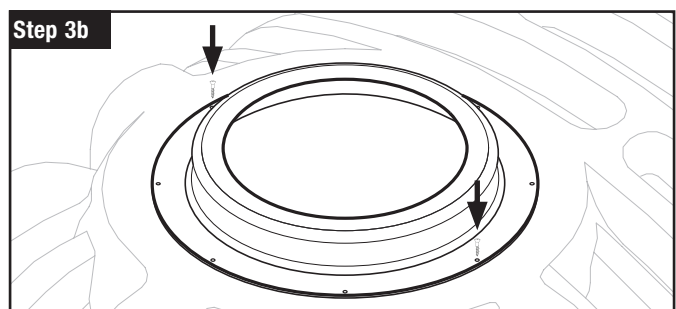
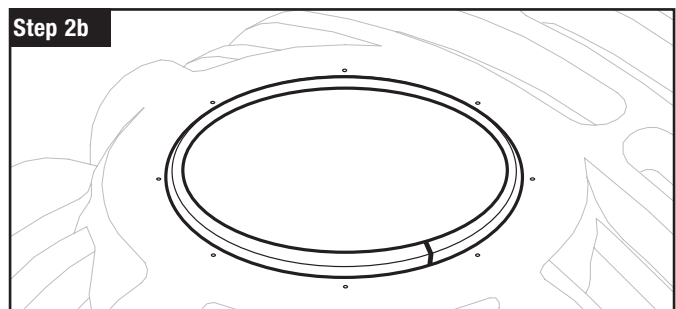
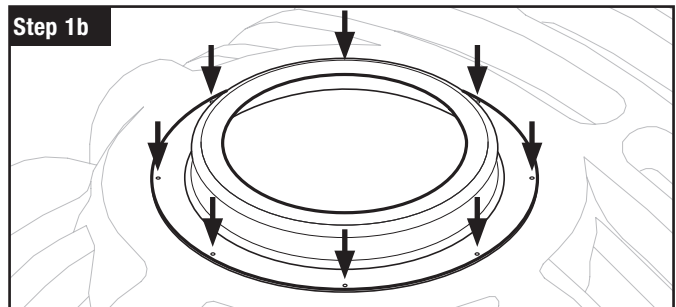
**Step 3c.** Set the adapter in place onto the gasket using the screws to align the pilot holes.

**Step 3d.** Carefully drive all of the screws into the tank just until they are almost fully inserted, then stop.

**Step 3e.** Tighten the screws in an alternating pattern around the adapter until all are snug.



**Note** — If a screw begins to strip, stop tightening it. This won't harm the threads if the screw isn't tightened further.



## 30in (750mm) Adapter Installation

Orenco's PRTA30 tank adapter requires the PRTA30-RBDKIT bolt-down kit, which contains screws and a sealant tape gasket for securing the adapter to tanks manufactured by Roth North America.

### Step 1. Clean Tank Opening and Apply Sealant

**Step 1a.** Wipe around the tank opening with a clean cloth and acetone.

**Step 1b.** Apply a ring of the sealant tape gasket around the tank opening as shown (at the inside lip of the outer ring).

- Abut the ends of the tape together.

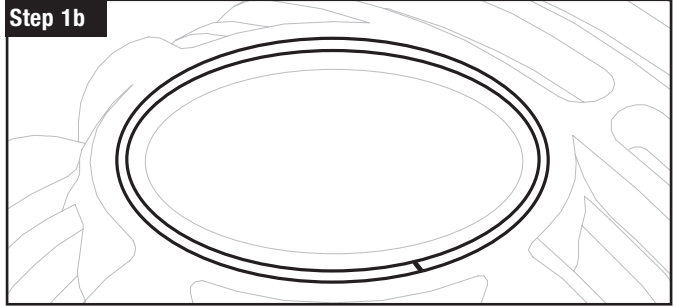
### Step 2. Secure Tank Adapter

**Step 2a.** Remove the protective strip from the sealant tape gasket; then carefully center the adapter over the tank opening and place it on the butyl tape.

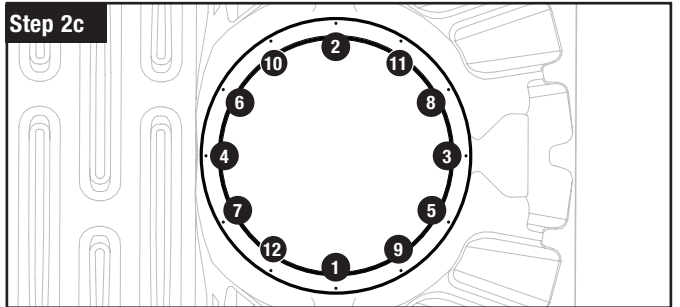
**Step 2b.** Carefully drive all of the screws into the tank just until they are almost fully inserted, then stop.

**Step 2c.** Tighten the screws in an alternating pattern around the adapter until all are snug.

Step 1b



Step 2c



**Note** — If a screw begins to strip, stop tightening it. This won't harm the threads if the screw isn't tightened further.

## Installing a Riser onto a Tank Adapter

See [PVC Riser Installation Instructions, NIN-RLA-RR-1](#) for instructions on installing the riser onto the tank adapter and testing for watertightness.