

# Biotube® ProPak™ 60Hz Pump Package

## Applications

The Biotube ProPak Pump Package is designed to filter and pump effluent from a one- or two-compartment septic tank or pump tank to gravity or pressurized dispersal.

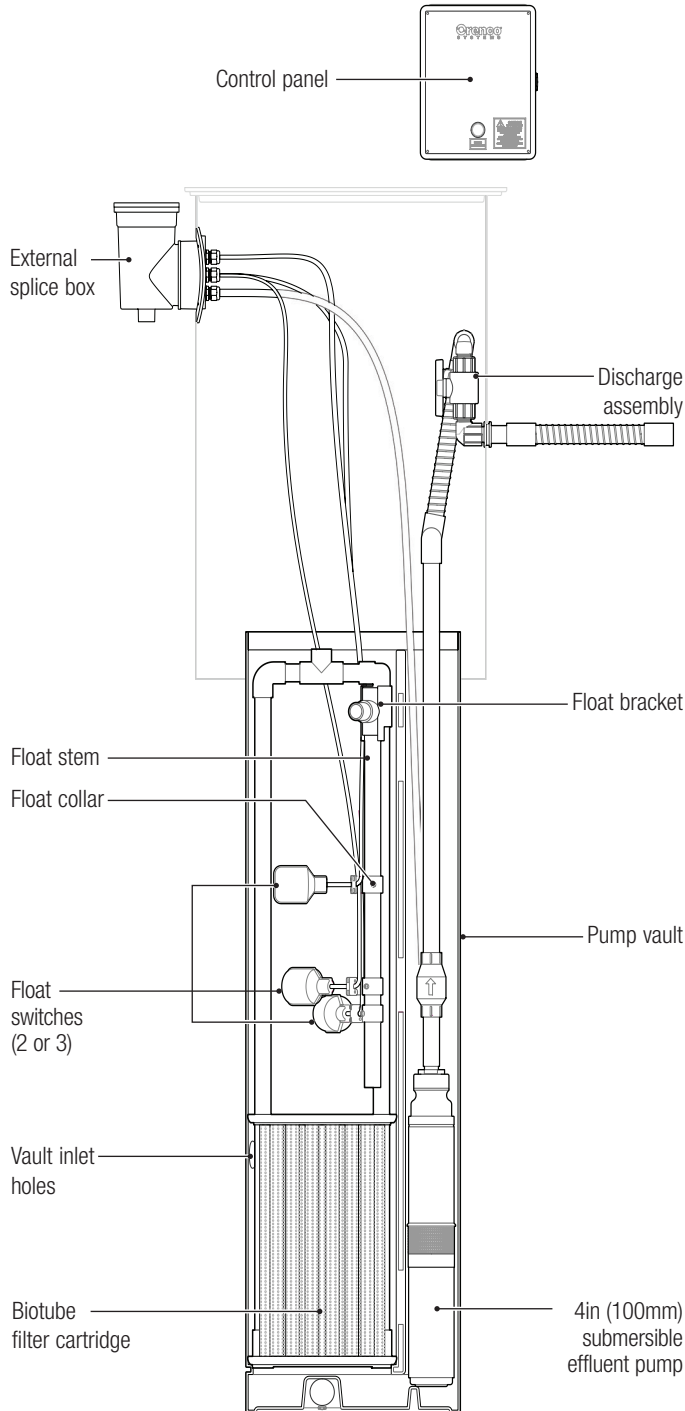
Packages for on-demand dosing or timed dosing at 10, 20, 30, and 50gpm (0.6, 1.3, 1.9, and 3.2L/sec) and 50Hz are available.

## General

Orenco's Biotube ProPak Pump Package makes it simple to select and install the correct pump and controls package. Its patented Biotube pump vault technology eliminates the need for separate dosing tanks. The pump vault also allows removal of the effluent filter for cleaning with no need to remove the pump vault or pump, which simplifies servicing.

For more information on specific ProPak components and options, see the following Orenco technical documents:

- *S-Series Simplex Control Panels* (NTD-CP-S-1)
- *MVP Simplex Control Panels* (NTD-CP-MVP-1)
- *External Splice Box* (NTD-SBEX-1)
- *Splice Boxes* (NTD-SB-SB-1)
- *Discharge Assemblies* (NTD-HV-HV-1)
- *HDA Discharge Assemblies* (NTD-HDA-1)
- *PF-Series Submersible Effluent Pumps: 1-Phase, 60-Hz, 4-inch (100-mm)* (NTD-PU-PF-1)
- *PVA-Series 4-in. (100-mm) Submersible Effluent Pumps* (NTD-PU-PVA-1)
- *Universal Biotube Pump Vaults* (NTD-PVU-1)
- *PVP-Series Biotube Pump Vaults* (NTD-PVU-3)
- *PV-Series Biotube Pump Vaults* (NTD-PVU-2)



*Biotube ProPak 60Hz Pump Package*

**Product Code Diagram**



Discharge assembly; details:

- SD1 = HV100BCFCX; field-cut, 1in PVC, ball valve, check valve, flow control, 10gpm pumps only
- SD2 = HV100BCX; field-cut, 1in PVC, ball valve, check valve, 10 or 20gpm pumps
- SD3 = HV125BCX; field-cut, 1.25in PVC, ball valve, check valve, 30gpm pumps
- SD4 = HV200BCX; field-cut, 2in PVC, ball valve, check valve, 50gpm pumps
- CW1 = HV100BCFCX + HVCW100-KIT; field-set, 1in PVC, ball valve, check valve, flow control, 10gpm pumps only
- CW2 = HV100BCX + HVCW100-KIT; field-set, 1in PVC, ball valve, check valve, 10 or 20gpm pumps
- CW3 = HV125BCX + HVCW125-KIT; field-set, 1.25in PVC, ball valve, check valve, 30gpm pumps
- CW4 = HV200BCX + HVCW200-KIT; field-set, 2in PVC, ball valve, check valve, 50gpm pumps
- DB1 = HV100B-DB; field-set, ball valve, drainback, 10 or 20gpm pumps
- DB2 = HV125B-DB; field-set, ball valve, drainback, 30gpm pumps
- DB3 = HV200B-DB; field-set, ball valve, drainback, 50gpm pumps
- HD1 = HDA24125FCASLC-FS; field-set, 1.25in hose, flow control, P01 (PF100511CV) pump only
- HD2 = HDA24125ASLC-FS; field-set, 1.25in hose, P01 (PF100511CV) pump only
- HD3 = HDA24125CFCASLC-FS; field-set, 1.25in hose, check valve, flow control, 10gpm pumps only
- HD4 = HDA24125CASLC-FS; field-set, 1.25in hose, check valve, 10, 20, or 30gpm pumps

Pump vault height, in (mm), for 18in (450mm) diameter filter:

- 48 = 48 (1219) PVU-Series      60 = 60 (1524) PVP-Series
- 57 = 57 (1448) PVU-Series      55 = 55 (1397) PV-Series
- 68 = 68 (1727) PVU-Series

Splice box options:

- SB = Internal splice box
- SX = External splice box

Float switch & pump cord lengths, ft (m):

- 10 = 10 (3)
- 20 = 20 (6)

Control panel; float switches:

- S11 = S1; 3P      M11 = MVP-S1DM; 3P
- S12 = S1ETMCT; 3P      M12 = MVP-S1DMHT; 3P
- S13 = S1HR; 2P      M13 = MVP-S1DMHTSA; 3P
- S14 = S1PTRO; 2BN      M14 = MVP-S1DMHTMTSGR-NC; 3P
- S15 = S1PTROETMCT; 2BN      M15 = MVP-S1DM(DEMAND); 3P
- S16 = S1RO; 3PN      M21 = MVP-S2DM; 3P
- S17 = S1ROETMCT; 3PN      M22 = MVP-S2DMHT; 3P
- S18 = S1ROETMCTSA; 3PN      M23 = MVP-S2DMHTSA; 3P
- S19 = S1ROMTSGR-NC; 3PN

Submersible effluent pump model; details:

- P01 = PF100511CV; 10gpm (0.6L/sec), 0.50hp (0.37kW), 120V for HD1 and HD2 only
- P02 = PF100511; 10gpm (0.6L/sec), 0.50hp (0.37kW), 120V
- P03 = PF100512; 10gpm (0.6L/sec), 0.50hp (0.37kW), 240V
- P04 = PF100712; 10gpm (0.6L/sec), 0.75hp (0.56kW), 240V
- P05 = PF101012; 10gpm (0.6L/sec), 1.00hp (0.75kW), 240V
- P08 = PF200511; 20gpm (1.3L/sec), 0.50hp (0.37kW), 120V
- P09 = PF200512; 20gpm (1.3L/sec), 0.50hp (0.37kW), 240V
- P10 = PF201012; 20gpm (1.3L/sec), 1.00hp (0.75kW), 240V
- P11 = PF300511; 30gpm (1.9L/sec), 0.50hp (0.37kW), 120V
- P12 = PF300512; 30gpm (1.9L/sec), 0.50hp (0.37kW), 240V
- P13 = PF300712; 30gpm (1.9L/sec), 0.75hp (0.56kW), 120V
- P14 = PF301012; 30gpm (1.9L/sec), 1.00hp (0.75kW), 240V
- P15 = PF500511; 50gpm (3.2L/sec), 0.50hp (0.37kW), 120V
- P16 = PF500512; 50gpm (3.2L/sec), 0.50hp (0.37kW), 240V
- P17 = PF500712; 50gpm (3.2L/sec), 0.75hp (0.56kW), 240V
- P18 = PF501012; 50gpm (3.2L/sec), 1.00hp (0.75kW), 240V
- P90 = PVA100511; 10gpm (0.6L/sec), 0.50hp (0.37kW), 120V
- P91 = PVA300511; 30gpm (1.9L/sec), 0.50hp (0.37kW), 120V
- P92 = PVA500511; 50gpm (3.2L/sec), 0.50hp (0.37kW), 120V

Biotube® ProPak™