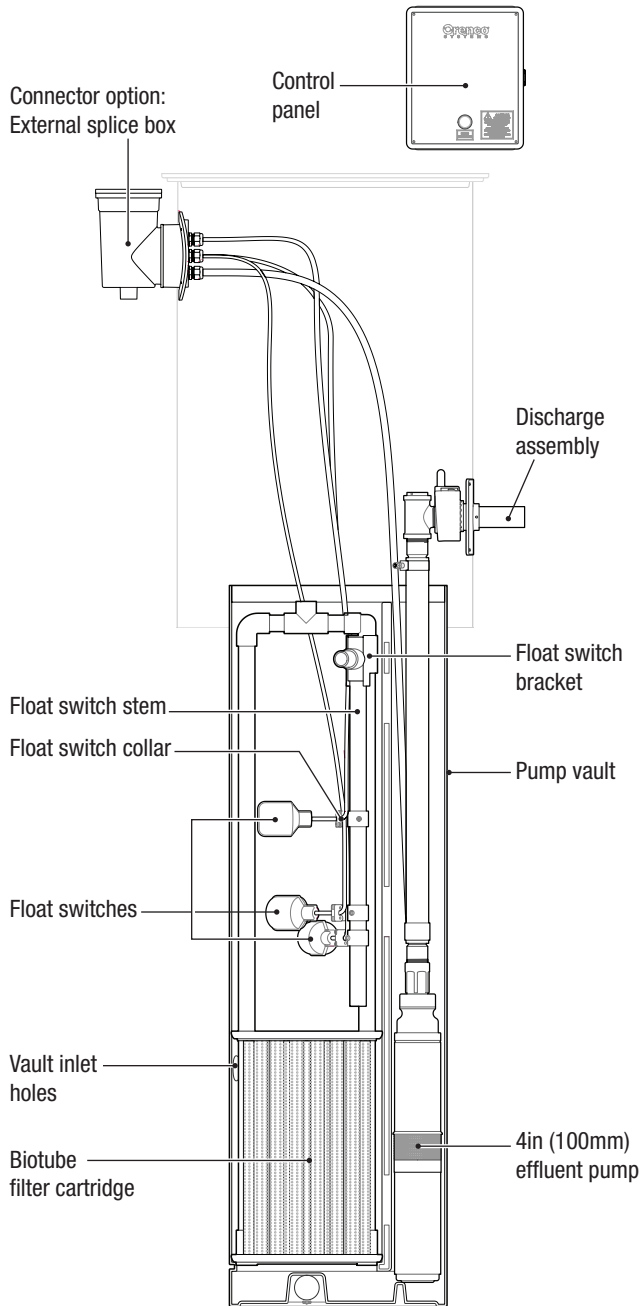


Biotube® ProSTEP™ Pump Packages

Applications

Orenco's Biotube ProSTEP Pump Packages are designed to filter and pump effluent from within a one- or two-compartment septic tank to a liquid-only sewer (aka "pressure sewer") system. They are ideally suited for Infiltrator ProSTEP tanks which are specifically designed to work with Biotube ProSTEP pump packages.



Biotube 60Hz ProSTEP pump package (cutaway view)

General

These pump packages make it simple to select and install the correct pump and controls package. The patent-pending Biotube pump vault technology eliminates the need for a separate septic tank and pump tank. The pump vault also allows removal of the effluent filter for cleaning with no need to remove the pump vault or pump, which simplifies servicing. All packages are 60Hz. Contact Orenco if a 50Hz package is needed.

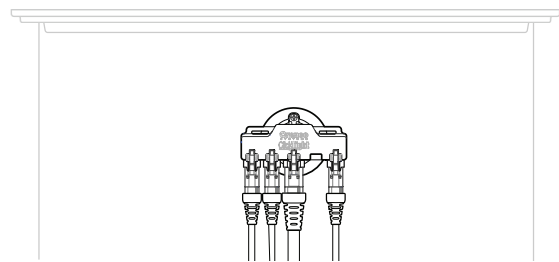
For more information on pump and discharge components, see the following Orenco technical documents:

- [Biotube PV-Series Pump Vaults Technical Data Sheet, NTD-GOP-PVU-4](#)
- [Biotube Universal Pump Vaults Technical Data Sheet, NTD-GOP-PVU-5](#)
- [HDA-Series Pump Discharge Assemblies Technical Data Sheet, NTD-GOP-HDA-1](#)
- [HV-Series Pump Discharge Assemblies Technical Data Sheet, NTD-GOP-HVA-1](#)
- [PF-Series 60Hz, 1-Phase Effluent Pumps Technical Data Sheet, NTD-GOP-PMP-1](#)
- [PVP-Series Biotube Pump Vaults Technical Data Sheet, NTD-GOP-PVU-1](#)

Biotube ProSTEP pump packages have internal or external connection options, or they can use ClickTight. Orenco's ClickTight connects a ClickTight-compatible pump with compatible float switches and control panel without the use of splice boxes, field-spliced wires, or watertight wire nuts. It also eliminates the need for conduit sealing.

For more information on connector options and control panels, see the following Orenco technical documents:

- [ClickTight 60Hz Controls Package Technical Data Sheet, NTD-GOP-SBX-4](#)
- [External Splice Box Technical Data Sheet, NTD-SBEX-1](#)
- [Internal Splice Boxes Technical Data Sheet, NTD-GOP-SBX-2](#)
- [MVP Simplex Control Panel Technical Data Sheet, NTD-CP-MVP-1](#)
- [S-Series Simplex Control Panels Technical Data Sheet, NTD-CAP-SSP-2](#)



Connector option: ClickTight (upper riser cutaway view)

Product Code Diagrams

Standard Product Code

PRSTP -

Discharge assembly; details:

- A = HDA24125FCASLC-FS; field-set, 1.25in hose, flow control, P01 (PF100511CV) pump only
- B = HDA24125ASLC-FS; field-set, 1.25in hose, P01 (PF100511CV) pump only
- C = HDA24125CFCASLC-FS; field-set, 1.25in hose, check valve, flow control, 10gpm pumps only
- D = HDA24125CASLC-FS; field-set, 1.25in hose, check valve, 10, 20, or 30gpm pumps
- E = HV100BCFCX; field-cut, 1in PVC, ball valve, check valve, flow control, 10gpm pumps only
- F = HV100BCX; field-cut, 1in PVC, ball valve, check valve, 10 or 20gpm pumps
- G = HV100BCFCX + HVCW100-KIT; field-set, 1in PVC, ball valve, check valve, flow control, 10gpm pumps only
- H = HV100BCX + HVCW100-KIT; field-set, 1in PVC, ball valve, check valve, 10 or 20gpm pumps
- J = HV100B-DB; field-set, ball valve, drainback, 10 or 20gpm pumps

Pump vault height, in (mm), for 18in (450mm) diameter filter:

- A = 48 (1219) PVU-Series
- B = 57 (1448) PVU-Series
- C = 68 (1727) PVU-Series
- D = 60 (1524) PVP-Series
- E = 55 (1397) PV-Series

Float switch & pump cord lengths, ft (m):

- 1 = 10 (3)
- 2 = 20 (6)

Control panel; float switches:

- A = S1; 3P
- B = S1ETMCT; 3P
- C = S1HR; 2P
- D = S1RO; 3PN
- E = S1ROMTSGR-NC; 3PN

Submersible effluent pump model; details:

- A = PF100511CV; 10gpm (0.6L/sec), 0.50hp (0.37kW), 120V for discharge assembly options A and B only
- B = PF100511; 10gpm (0.6L/sec), 0.50hp (0.37kW), 120V
- C = PF100512; 10gpm (0.6L/sec), 0.50hp (0.37kW), 240V

Connector:

- 1 = ClickTight with 62ft (19m) cable
- 2 = ClickTight with 96ft (29m) cable
- 3 = Internal splice box
- 4 = External splice box

Biotube® ProSTEP Pump Package

Project-Specific Product Code

PRSTP

Revision number

State or province

Project name

Biotube® ProSTEP™ Pump Package