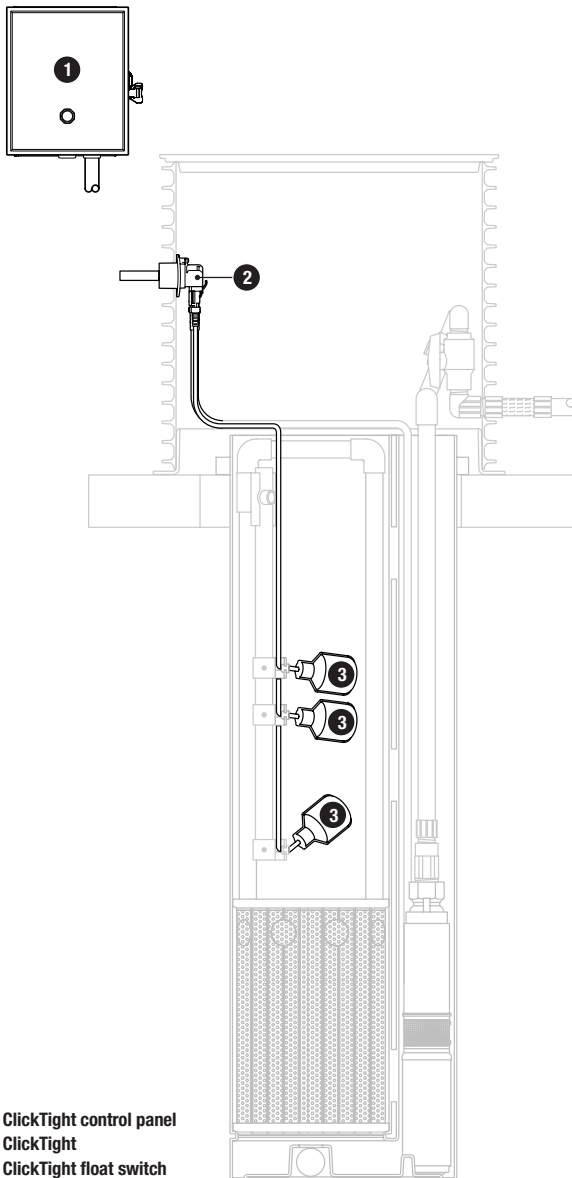


ClickTight™ 60Hz Controls Package

Applications

The Orenco ClickTight Controls Package is an integrated set of wastewater controls components designed to provide secure wiring connections without the need for conduit sealing. The ClickTight connects a pump, float switches, and a control panel in an on-site wastewater system, without the use of splice boxes, field-spliced wires, or watertight wire nuts.

The ClickTight is UL listed for the US and Canada and is IP 67 rated.



1. ClickTight control panel
2. ClickTight
3. ClickTight float switch

ClickTight components (optional plug cord adapter not shown)

General

Orenco's ClickTight controls package is a complete, integrated package for making fast and easy wiring connections. It greatly reduces the risk of electrical failures due to moisture, faulty splices, improperly installed waterproof wire nuts, or corrosion.

The ClickTight controls package includes:

- ClickTight
- ClickTight control panel
- ClickTight float switches
- Optional ClickTight pump adapter plug

ClickTight-compatible PF-series effluent pumps are available. See [ClickTight Products Technical Data Sheet, NTD-GOP-SBX-3](#), for more information.

Product Code Diagram

CLKP - [] - [] - [] - []

Pump cord adapter option:
NA = No pump cord adapter included
PA = Pump cord adapter included

Cable length, ft (m):
60 = 62 (19)
95 = 96 (29)

Float switch cord length, ft (m):
10 = 10 (3)
20 = 20 (6)

Control panel; float switches:

- | | |
|-------------------------|------------------------------|
| S11 = S1; 3P | M11 = MVP-S1DM; 3P |
| S12 = S1ETMCT; 3P | M12 = MVP-S1DMHT; 3P |
| S13 = S1HR; 2P | M13 = MVP-S1DMHTSA; 3P |
| S14 = S1PTR0; 2BN | M14 = MVP-S1DMHTMTSGR-NC; 3P |
| S15 = S1PTROETMCT; 2BN | M15 = MVP-S1DM(DEMAND); 3P |
| S16 = S1RO; 3PN | M21 = MVP-S2DM; 3P |
| S17 = S1ROETMCT; 3PN | M22 = MVP-S2DMHT; 3P |
| S18 = S1ROETMCTSA; 3PN | M23 = MVP-S2DMHTSA; 3P |
| S19 = S1ROMTSGR-NC; 3PN | |

ClickTight™ 60Hz controls package

Not all product code configurations may be available as standard products.

ClickTight

Orenco's ClickTight greatly reduces the risk of electrical failures in on-site wastewater systems. It provides secure, water-resistant cable connections between a control panel, up to four ClickTight-compatible float switches, and a pump. It eliminates the need for splice boxes, field-spliced wires, wire nuts, and conduit seals.

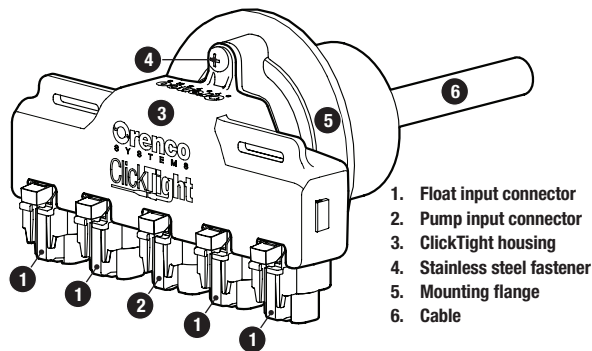
ClickTight is UL listed for the US and Canada for 120V/240V applications and is IP 67 rated.

Materials of Construction

Cable	PVC, polypropylene, copper, biaxially-oriented polyethylene terephthalate (BoPET) film
Fastener	Stainless steel
Housing & connectors	ABS
O-ring	Buna-N
Potting compound	Urethane

Specifications

Cable length, maximum	96ft (29m)
Float cables	18AWG, 2-8 conductor, UL TC-ER 600V
Float switch connectors	Double-pole, IP 67
Pump cables	14AWG (CLKX-60) or 12AWG (CLKX-95), 3 conductor, UL TC-ER, 600V
Pump connector	Triple-pole, IP 67



Orenco's ClickTight

ClickTight Float Switches

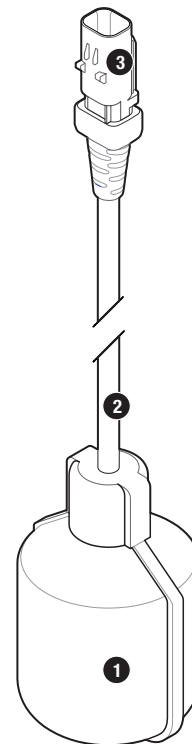
ClickTight B, N, and P float switches are mechanical, non-mercury switches that are UL and cUL listed for use in water or sewage.

Materials of Construction

Collar	ABS
Connector	Glass-filled thermoplastic, silicone, IP 67
Cord	Flexible, 2 conductor (UL, CSA) SJOW; water-resistant CPE cord jacket with EPDM insulated conductors
Housing	Impact resistant, noncorrodible polypropylene for use in liquids up to 140°F (60°C)

Specifications

Float switch	State	Type
B	Normally open	Mechanical
N	Normally closed	Mechanical
P	Normally open	Mechanical



ClickTight float switch

ClickTight Pump Cord Adapters

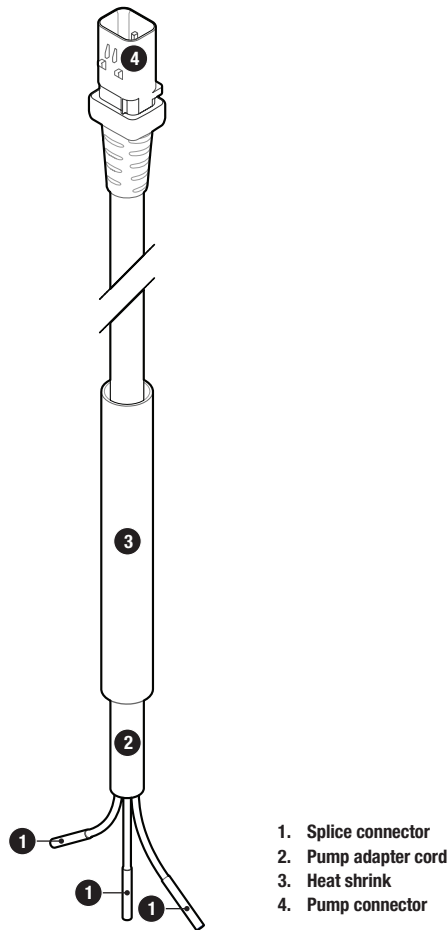
Orenco's ClickTight pump cord adapters provide a means of retrofitting a ClickTight pump connector to an existing Orenco pump or a customer-sourced, single-phase, 120V/240V pump of up to 1hp (0.75kW) and a rating of 13 FLA.

Materials of Construction

Connector	Glass-filled thermoplastic, silicone
Heat shrink	Adhesive-filled polyolefin
Splice connector	Nylon, copper

Specifications

Connector	Triple-pole, IP 67
Cord	3 conductor, 16AWG, SOOW, 600V
Heat shrink	12-6AWG, 600V
Splice connector	16-14AWG



ClickTight pump cord adapter

ClickTight S Control Panels

Orenco's ClickTight S control panels are electromechanical panels specifically engineered for controlling single pumps in conjunction with the ClickTight controls package.

Materials of Construction

Enclosure	UV-resistant fiberglass, UL Type 4X (IP 66)
Hinges and latches	Stainless steel

Specifications

Height, in (mm)	11.5 (292)
Width, in (mm)	9.3 (236)
Depth, in (mm)	5.4 (137)
Audio alarm	95dB at 24in (610mm), warble-tone sound; gasketed, UL Type 4X (IP 66)
Audio alarm silence relay	120VAC, automatic reset, DIN rail mount
Circuit breakers	120VAC, 10A, OFF/ON switch, single-pole
Motor-start contactor	16FLA, 1hp (0.75kW), 2.5 million cycles at FLA
Panel ratings	120VAC, 1hp (0.75kW), 16A, single-phase, 60Hz
Pump circuit breaker	20A, OFF/ON switch, single-pole (120VAC) or double-pole (240VAC), DIN rail mounting with thermal magnetic tripping characteristics
Toggle switch	Single-pole, double-throw HOA switch
Visual alarm	7/8in (22mm) diameter red lens, "push-to-silence," 120VAC LED, UL Type 4X

Model-Specific Options

Elapsed time meter	120VAC, 7 digit, non-resettable. Limit of 99,999 hours; accurate to 0.01 hours
Event counter	120VAC, 6 digit, non-resettable
Programmable timer	Repeat cycle from 0.05 seconds to 30 hours; separate variable controls for OFF & ON time period
Redundant high-on relay	120VAC, DIN rail mount; provides a secondary pump-on during high-level conditions
Redundant-off relay	120VAC, DIN rail mount; provides secondary off; sounds alarm on low-level condition
Surge arrestor	Status light on unit; protects incoming power supply from electrical surges

ClickTight M Control Panels

Orenco's ClickTight M control panels provide timed- or demand-dosing controls with an easy-to-use, programmable logic unit (PLU) that incorporates many timing and logic functions, such as multiple timing intervals to adjust for changing flow conditions and a built-in elapsed time meter and counter. These panels are specifically engineered for controlling single pumps in conjunction with the ClickTight controls package.

Materials of Construction

Enclosure	UV-resistant fiberglass, UL Type 4X (IP 66)
Hinges and latches	Stainless steel

Specifications

Height, in (mm)	11.5 (292)
Width, in (mm)	9.3 (236)
Depth, in (mm)	5.4 (137)
Audio alarm	95dB at 24in (610mm), warble-tone sound; gasketed, UL Type 4X (IP 66).
Audio alarm silence relay	120VAC, automatic reset, DIN rail mount
Circuit breakers	120VAC, 10A, OFF/ON switch, single-pole
Motor-start contactor	16FLA, 1hp (0.75kW), 2.5 million cycles at FLA
Panel ratings	120VAC, 1hp (0.75kW), 16A, single-phase, 60Hz
Programmable logic unit	120V programmable logic unit with built-in LCD screen and programming keys; provides control functions and timing for panel operation
Pump circuit breaker	20A, OFF/ON switch, single-pole (120VAC) or double-pole (240VAC), DIN rail mounting with thermal magnetic tripping characteristics
Toggle switch	Single-pole, double-throw HOA switch
Visual alarm	7/8in (22mm) diameter red lens, "push-to-silence," 120VAC LED, UL Type 4X

Model-Specific Options

Heater	Anti-condensation heater; self-adjusting feature radiates additional wattage as temperature drops
Surge arrestor	Status light on unit; protects incoming power supply from electrical surges