

Orenco ClickTight™ Products

Applications

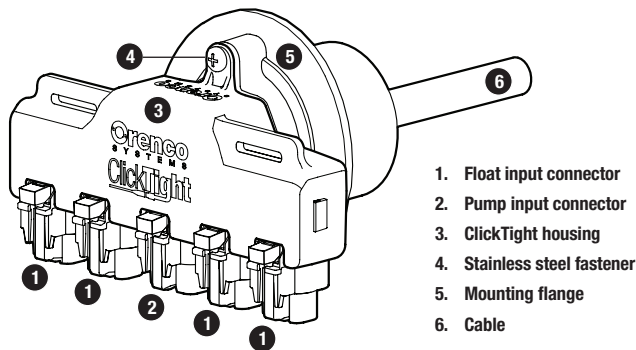
Orenco's ClickTight products provide secure, moisture-resistant cable connections between a ClickTight, a ClickTight-compatible pump, up to four ClickTight-compatible float switches, and a control panel. They eliminate the need for splice boxes, field-spliced wires, wire nuts, and conduit seals.

ClickTight is UL-listed for the US and Canada. ClickTight connectors are IP67 rated.

General

Orenco's ClickTight products greatly reduce the risk of electrical failures in wastewater systems due to moisture, faulty splices, improperly installed waterproof wire nuts, or corrosion. Two to four float switches and a pump can be quickly and securely connected to the ClickTight, without the use of tools. An integral cable runs from the ClickTight to the control panel.

Plug caps (product code CLK-CAP) are available for unused float switch plugs.



ClickTight unit

ClickTight

Orenco's ClickTight greatly reduces the risk of electrical failures in onsite wastewater systems. It provides secure, water-resistant cable connections between a control panel, up to four ClickTight-compatible float switches, and a pump. It eliminates the need for splice boxes, field-spliced wires, wire nuts, and conduit seals.

ClickTight installs easily in an access riser, where it fits close to the riser wall to provide clearance for O&M activities. ClickTight is fully potted and sealed to prevent moisture and corrosive gas from reaching the control panel.

Materials of Construction

Cable	PVC/nylon, annealed copper
Connector & coupler housing	ABS
Fastener	Stainless steel
Housing	ABS
O-ring	Buna-N
Connectors	Glass-filled thermoplastic, silicone
Potting compound	Urethane

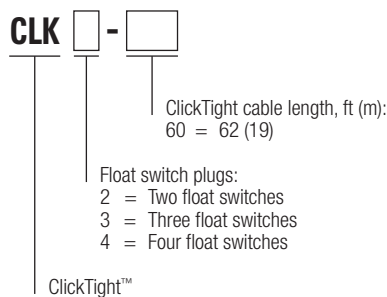
Specifications

Pump cable	14AWG; 3 conductor; UL TC-ER 600V
Float cable	18AWG; 2-8 conductor; UL TC-ER 600V
Cable length, max., ft (m)	62 (19)
Float switch connectors	Double-pole, IP 67
Pump connector	Triple-pole, IP 67

Standard Models

CLK2-60, CLK3-60, CLK4-60

Product Code Diagram



ClickTight Float Switches

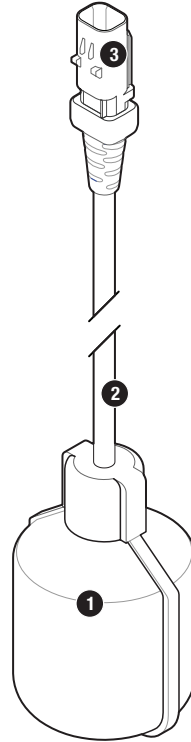
ClickTight B, C, N, and P float switches are mechanical, non-mercury switches that are cUL listed and CSA certified for use in water or sewage. ClickTight G float switches are mercury switches.

Materials of Construction

Float switch collar	ABS
Float switch cord	Flexible, 2-conductor (UL, CSA) SJOW; water-resistant CPE cord jacket with EPDM insulated conductors
Float switch housing	Impact resistant, noncorrodible polypropylene for use in liquids up to 140°F (60°C)
Float switch connector	Glass-filled thermoplastic, silicone, IP 67

Float Switch Specifications

Float	State	Type
B	Normally open	Mechanical
C	Normally open	Mechanical
N	Normally closed	Mechanical
P	Normally open	Mechanical
G	Normally open	Mercury



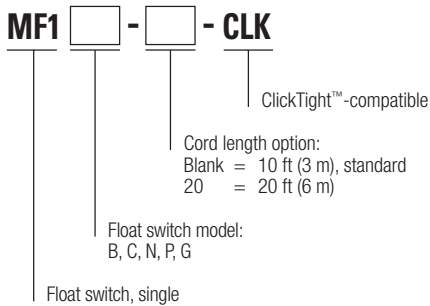
1. Float switch
2. Float switch cord
3. Float switch connector

ClickTight float switch (mechanical float switch shown)

Standard Models

B, C, N, P, G

Product Code Diagram



ClickTight-Compatible Effluent Pumps

Orenco's ClickTight-compatible effluent pumps* are the fast and simple way to add pumping capability to the ClickTight Controls Package. They're field serviceable with common tools and have a minimum 24-hour run-dry capability (liquid end) with no deterioration in pump life or performance in internal testing.

* For P-Series effluent pumps, see [NTD-PU-P-1, P-Series Submersible Effluent Pumps: Single-Phase, 60Hz, 4in \(100mm\)](#).

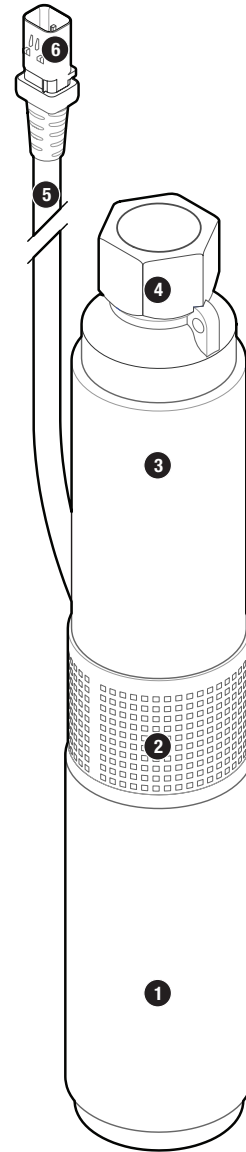
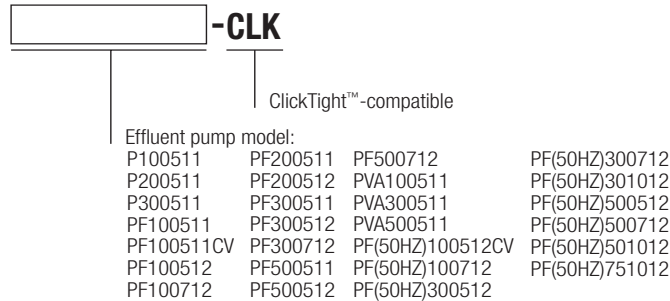
For PF-Series pumps, see [NTD-PU-PF-1, Orenco PF-Series 60Hz, 1-Phase Pumps and NTD-PU-PF-4, Orenco PF-Series Submersible Effluent Pumps: 50Hz, 100mm \(4in\)](#).

For PVA-Series pumps, see [NTD-PU-PVA-1, Orenco PVA-Series Pumps](#).

Materials of Construction

Connector	Glass-filled thermoplastic, silicone, IP67
Diffusers	Glass-filled PPO
Discharge	Glass-filled polypropylene
Discharge bearing	Engineered thermoplastic (PEEK)
Impellers	Acetal
Intake screens	Polypropylene
Lubricant	Deionized water, propylene glycol
Suction connection, drive shaft, coupling, shell	Stainless steel

Product Code Diagram



ClickTight-compatible effluent pump

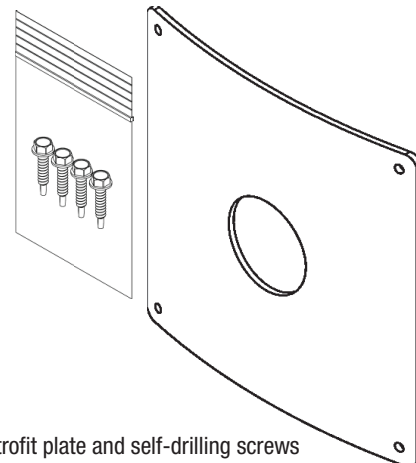
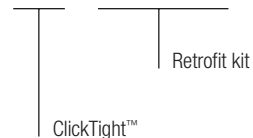
1. Pump motor end
2. Suction connection
3. Pump liquid end
4. Discharge connection
5. Cable
6. Pump connector

ClickTight Retrofit Kit

Orenco's ClickTight retrofit kit provides the hardware needed for replacing an existing external Orenco splice box in a riser with a ClickTight unit.

Product Code Diagram

CLK - RETROFIT



ClickTight retrofit plate and self-drilling screws