

ClickTight™ Products

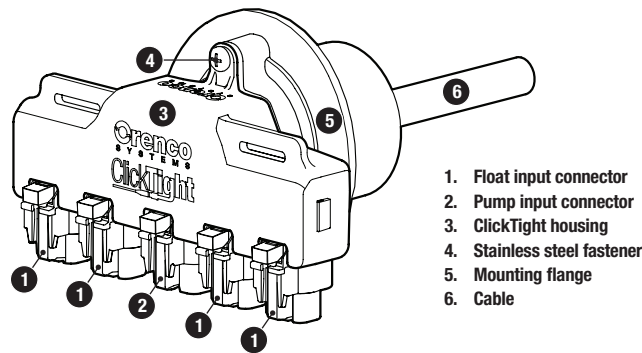
Applications

Orenco ClickTight Products provide secure, moisture-resistant cable connections between a ClickTight, a ClickTight-compatible pump, up to four ClickTight-compatible float switches, and a control panel. They eliminate the need for splice boxes, field-spliced wires, wire nuts, and conduit seals.

The ClickTight is UL listed for the US and Canada and is IP 67 rated.

General

Orenco's ClickTight products greatly reduce the risk of electrical failures in wastewater systems due to moisture, faulty splices, improperly installed waterproof wire nuts, or corrosion. Two to four float switches and a pump can be quickly and securely connected to the ClickTight, without the use of tools. An integral cable runs from the ClickTight to the control panel. Plug caps (product code CLK-CAP) are available for unused float switch plugs.



Orenco's ClickTight

ClickTight

Orenco's ClickTight greatly reduces the risk of electrical failures in on-site wastewater systems. It provides secure, water-resistant cable connections between a control panel, up to four ClickTight-compatible float switches, and a pump. It eliminates the need for splice boxes, field-spliced wires, wire nuts, and conduit seals.

ClickTight installs easily in an access riser, where it fits close to the riser wall to provide clearance for O&M activities. It is fully potted and sealed to prevent moisture and corrosive gas from reaching the control panel.

Materials of Construction

Cable	PVC, polypropylene, copper, biaxially-oriented polyethylene terephthalate (BoPET) film
Fastener	Stainless steel
Housing & connectors	ABS
O-ring	Buna-N
Potting compound	Urethane

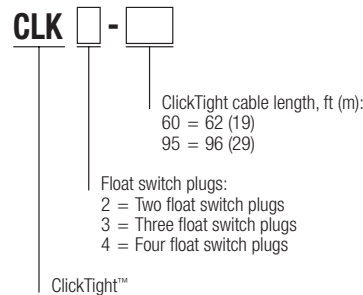
Specifications

Cable length, maximum	96ft (29m)
Float cables	18AWG, 2-8 conductor, UL TC-ER 600V
Float switch connectors	Double-pole, IP 67
Pump cables	14AWG (CLKX-60) or 12AWG (CLKX-95), 3 conductor, UL TC-ER, 600V
Pump connector	Triple-pole, IP 67

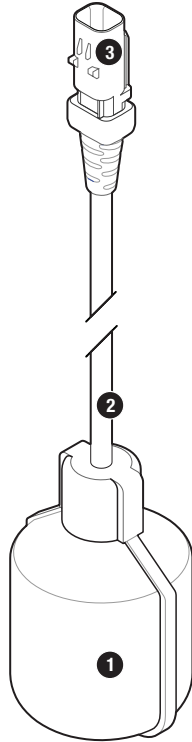
Standard Models

CLK2-60, CLK3-60, CLK4-60, CLK2-95, CLK3-95

Product Code Diagram



Not all product code configurations may be available as standard products.



- 1. Float switch
- 2. Float switch cord
- 3. Float switch connector

ClickTight float switch (mechanical float switch shown)

ClickTight Float Switches

ClickTight B, N, and P float switches are mechanical, non-mercury switches that are UL and cUL listed for use in water or sewage.

Materials of Construction

Collar	ABS
Connector	Glass-filled thermoplastic, silicone, IP 67
Cord	Flexible, 2 conductor (UL, CSA) SJOW; water-resistant CPE cord jacket with EPDM insulated conductors
Housing	Impact resistant, noncorrodible polypropylene for use in liquids up to 140°F (60°C)

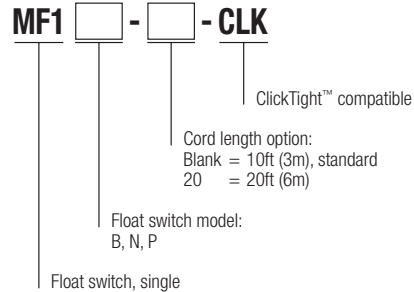
Specifications

Float	State	Type
B	Normally open	Mechanical
N	Normally closed	Mechanical
P	Normally open	Mechanical

Standard Models

B, N, P

Product Code Diagram



ClickTight Pump Cord Adapters

Orenco's ClickTight pump cord adapters provide a means of retrofitting a ClickTight pump connector to an existing Orenco pump or a customer-sourced, single-phase, 120V/240V pump of up to 1hp (0.75kW) and a rating of 13 FLA.

Materials of Construction

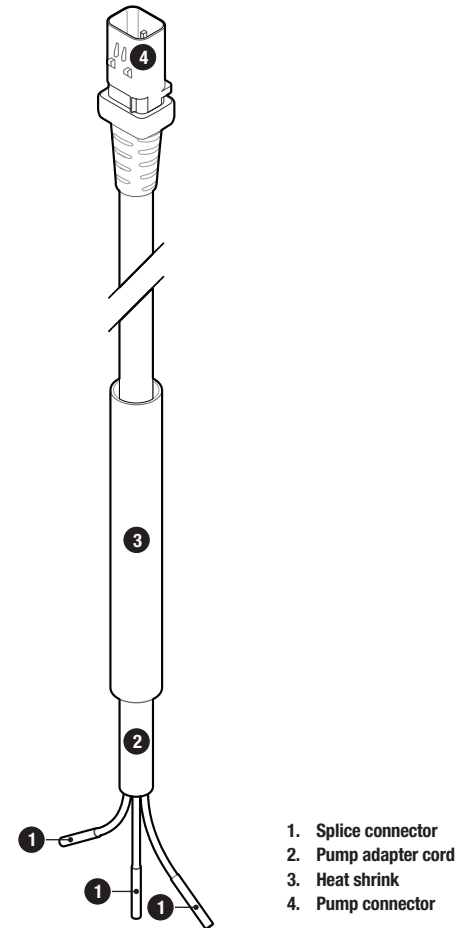
Connector	Glass-filled thermoplastic, silicone
Heat shrink	Adhesive-filled polyolefin
Splice connector	Nylon, copper

Specifications

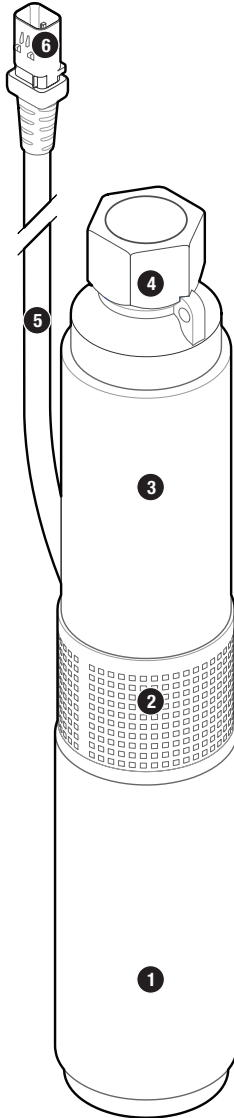
Connector	Triple-pole, IP 67
Cord	3 conductor, 16AWG, SOOW, 600V
Heat shrink	12-6AWG, 600V
Splice connector	16-14AWG

Product Code Diagram

CLK - PA

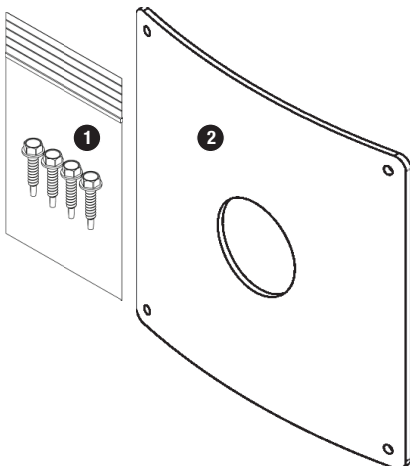


ClickTight pump cord adapter



1. Pump motor end
2. Suction connection
3. Pump liquid end
4. Discharge connection
5. Cable
6. Pump connector

ClickTight-compatible effluent pump



1. Self-drilling screws
2. Retrofit plate

ClickTight retrofit kit

ClickTight-Compatible Effluent Pumps

Orenco's ClickTight-compatible effluent pumps are the fast and simple way to add pumping capability to the ClickTight Controls Package. They're field serviceable with common tools and have a minimum 24-hour run-dry capability (liquid end) with no deterioration in pump life or performance in internal testing.

For more info on P-Series effluent pumps, see [P-Series Submersible Effluent Pumps: Single-Phase, 60Hz, 4in \(100mm\), NTD-PU-P-1](#).

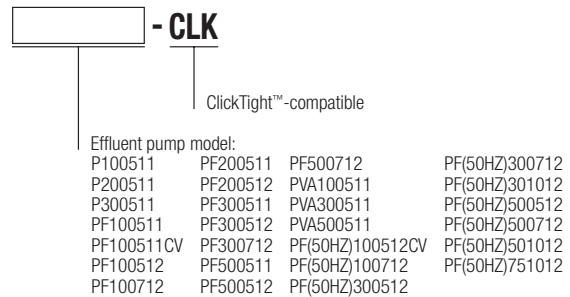
For more info on PF-Series effluent pumps, see [PF-Series 60Hz, 1-Phase Effluent Pumps, NTD-GOP-PMP-1](#) and [PF-Series Submersible Effluent Pumps: 50Hz, 100mm \(4in\), NTD-PU-PF-4](#).

For more info on PVA-Series effluent pumps, see [PVA-Series Pumps, NTD-PU-PVA-1](#).

Materials of Construction

Connector	Glass-filled thermoplastic, silicone, IP 67
Diffusers	Glass-filled PPO
Discharge	Glass-filled polypropylene
Discharge bearing	Engineered thermoplastic (PEEK)
Impellers	Acetal
Intake screens	Polypropylene
Lubricant	Deionized water, propylene glycol
Suction connection, drive shaft, coupling, shell	Stainless steel

Product Code Diagram



ClickTight Retrofit Kit

Orenco's ClickTight retrofit kit provides the hardware needed for replacing an existing external Orenco splice box in a riser with a ClickTight unit.

Product Code Diagram

