

DuraFiber® FLD Access Lids

Applications

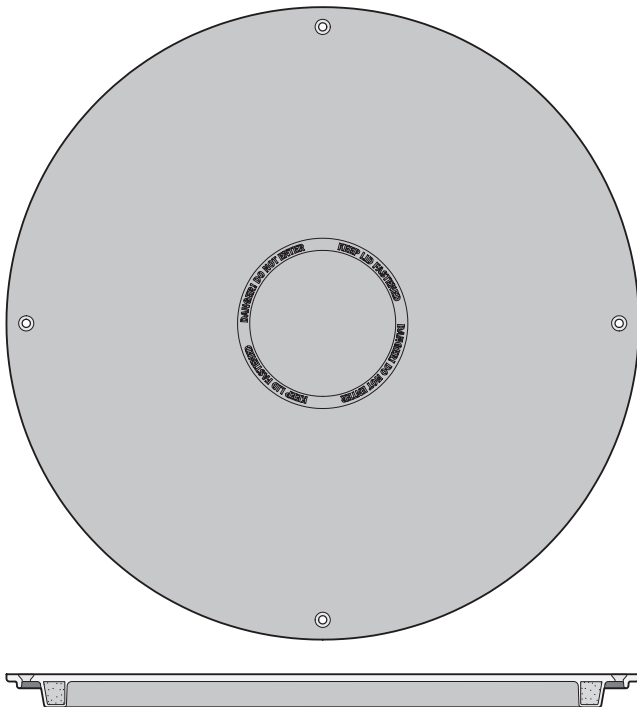
Orenco DuraFiber FLD Access Lids provide secure, durable, watertight coverings for ribbed PVC, HDPE, and Orenco's FRP risers, pump basins, and access ports. They are capable of supporting a 2500lb (1134kg) load; however, they are not recommended for vehicular traffic.

FLD24 24in (600mm) lids require an RLA24 adapter to connect to spiral-seam PVC pipe. FLD30 30in (750mm) lids are not compatible with RLA30 Riser-Lid-Adapters (no longer sold by Orenco) or 30in (750mm) spiral-seam PVC pipe.

General

DuraFiber FLD lids are designed for extreme durability and damage resistance, with UV- and corrosion-resistant materials, optional EPDM gaskets for watertight lid-to-riser connections, and flat-style flanges for easy access with clean, flush-to-grade installations. The lids have centering rings for easy alignment. The lids also come with four 5/16in (8mm) stainless steel socket cap screws and a hex key wrench.

DuraFiber FLD lids feature a non-skid surface and a molded-in caution statement, with room for a customer logo. For custom logos, contact an Orenco sales representative. Lids are also available with optional insulation, either installed at the factory or in kits that can be installed in the field.

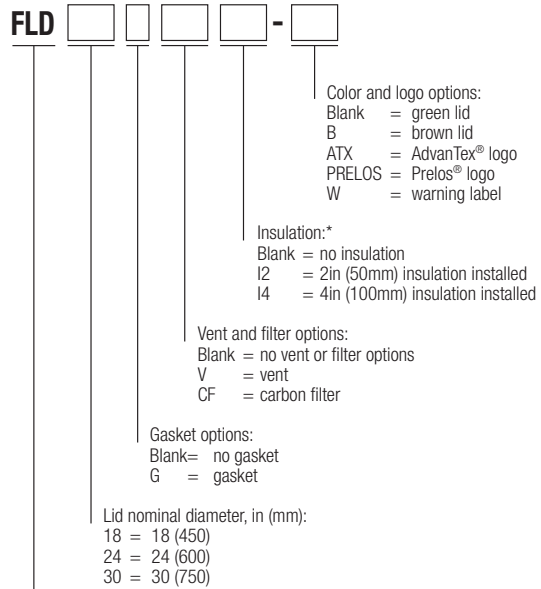


DuraFiber FLD lid: top view and side-cutaway view

Standard Models

FLD18G, FLD24G, FLD24G-ATX, FLD24G-W, FLD30G, FLD30G-PRELOS, FLD30G-W

Product Code Diagram



DuraFiber® FLD access lid

*Insulation has an R-value of 10 per 2in (RSI of 1.8 per 50mm) increment.

Not all product code configurations may be available as standard products.

Materials of Construction

Lid	Fiber-reinforced polymer (FRP)
Gasket	EPDM
Centering ring core	Structural foam
Mounting hardware	Stainless steel
Insulation, optional	Closed-cell foam
Insulation mounting hardware	Stainless steel

Specifications

Model	FLD18XX	FLD24XX	FLD30XX
A in (mm)	20.2 (513)	25.75 (654)	32.75 (832)
B in (mm)	1.5 (38)	1.5 (38)	1.5 (38)
C in (mm)	17.5 (445)	23.25 (591)	29.25 (743)
Insulation R-value per 2in (RSI per 50mm) increment	10 (1.8)	10 (1.8)	10 (1.8)
Gasket width, in (mm)	0.38 (10)	0.69 (18)	0.69 (18)
Bolt hole diameter, in (mm)	0.31 (8)	0.31 (8)	0.31 (8)
Weight, lbs (kg)	7 (3)	11 (5)	20 (9)
Bolt holes per lid	4	4	4

