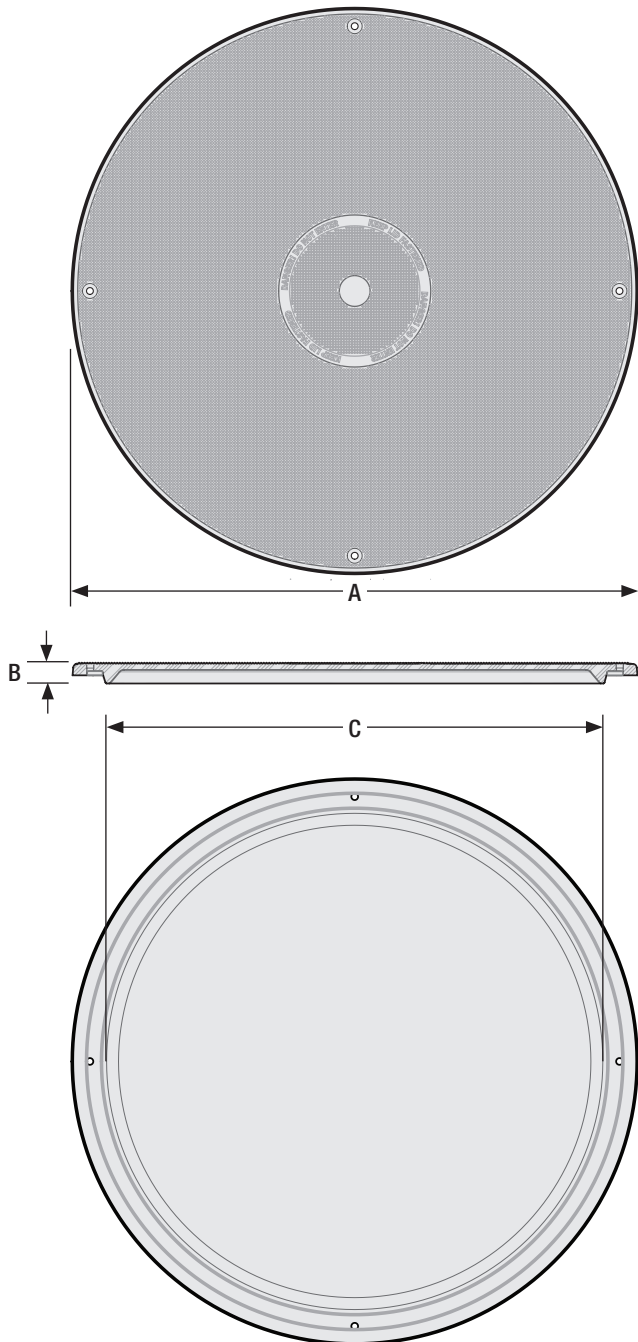


# FiberLast™ FLL Access Lids

## Applications

Orenco's FiberLast FLL Access Lids provide secure, durable, and water-tight coverings for ribbed PVC, HDPE, and Orenco FRP risers, pump basins, and access ports. They are capable of supporting a 2500lb (1134kg) load; however, they are not recommended for vehicular traffic.



FiberLast FLL24 lid: top, side-cutaway, and bottom views

## General

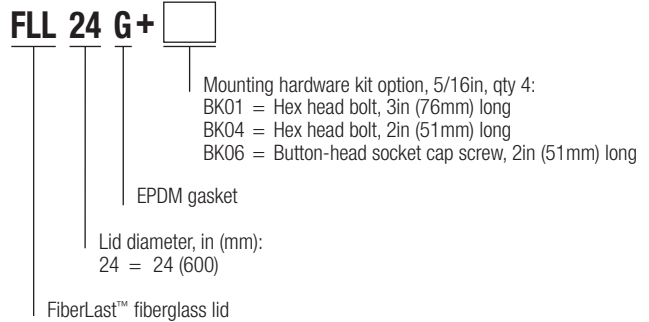
FLL24 lids are designed for durability and damage resistance, with UV- and corrosion-resistant materials, EPDM gaskets for watertight lid-to-riser connections, and flat-style flanges for easy access with clean, flush-to-grade installations. They feature a non-skid surface and a molded-in caution statement.

FLL24 lids offer a choice of 5/16in stainless steel mounting hardware: four hex-head bolts in 3in or 2in (76mm or 51mm) lengths, or four 2in (51mm) long button-head socket cap screws.

## Standard Models

FLL24G+BK01, FLL24G+BK04, FLL24G+BK06

## Product Code Diagram



## Materials of Construction

Lid	Fiberglass sheet molding compound
Gasket	EPDM
Mounting hardware	Stainless steel

## Specifications

<b>A</b> in (mm)	26 (660)
<b>B</b> in (mm)	0.90 (23)
<b>C</b> in (mm)	23.25 (591)
Gasket width, in (mm)	0.75 (19)
Bolt hole diameter, in (mm)	0.33 (8)
Weight, lbs (kg)	11 (5)
Bolt holes, per lid	4