

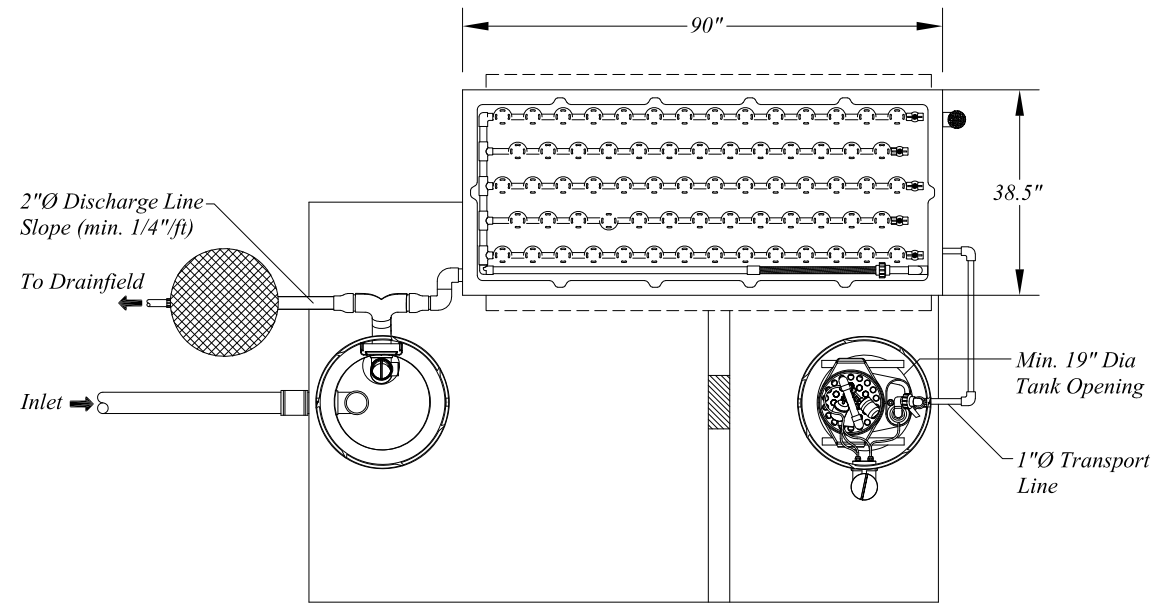
# AdvanTex® AX20 Mode 3B

## Design Notes

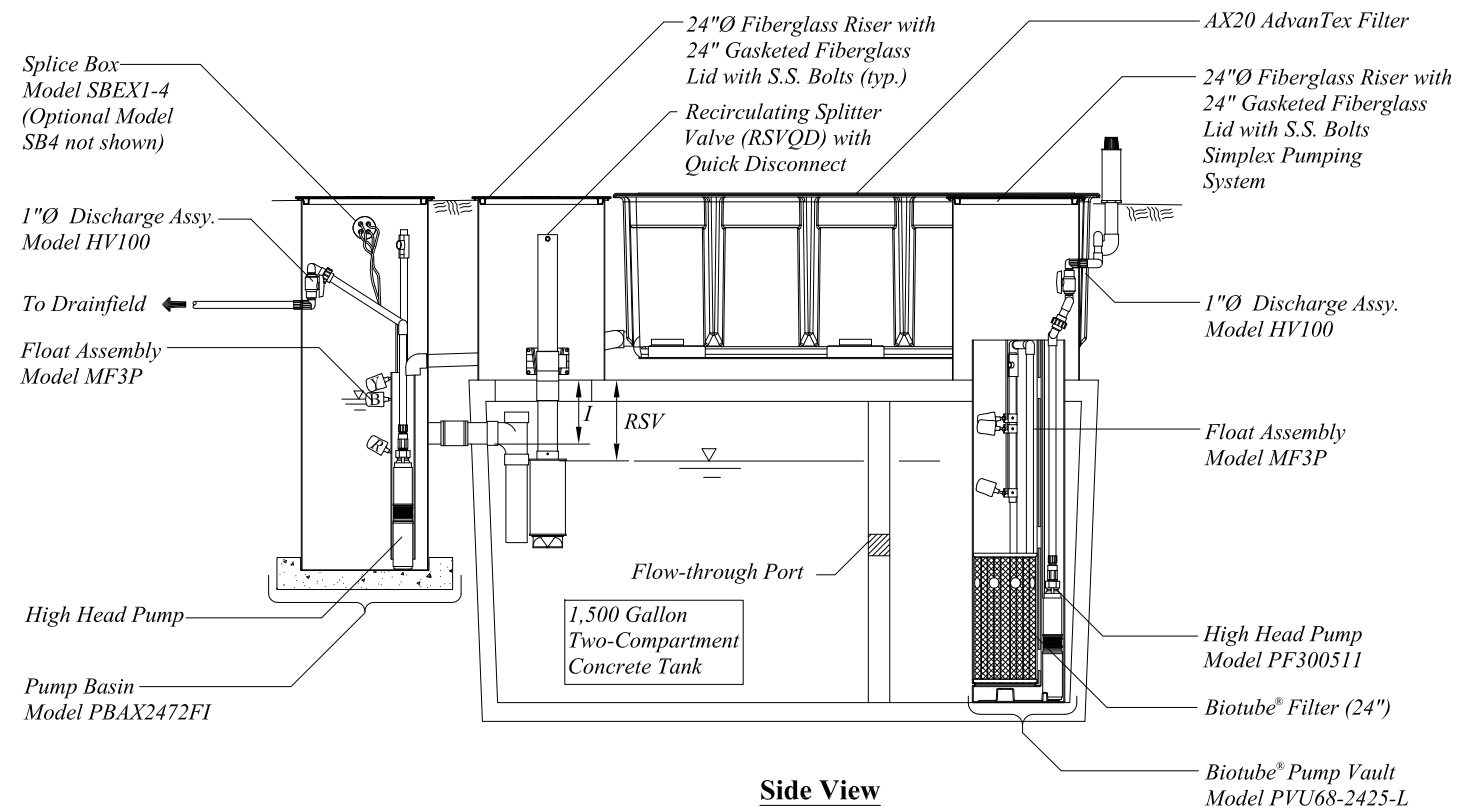
For residential strength waste up to 4 bedrooms.

Installation to be performed by an AdvanTex Authorized Installer only.

Start-up and service to be performed by an AdvanTex Authorized Service Provider only.

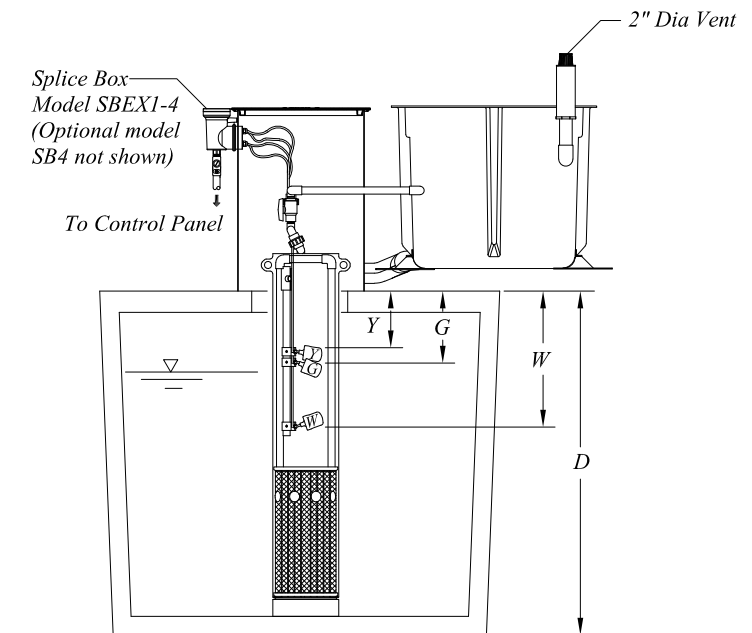


**Top View**  
Scale: 1" = 3'-0"



**Side View**  
Scale: 1" = 3'-0"

Float Functions	
Y	High Level Alarm
G	Override Timer ON/OFF
W	LLA/RO
B	Pump On
R	Pump Off



**End View**  
Scale: 1" = 3'-0"



© Orenco Systems, Inc.  
Portions or all of this Proposed System Configuration Drawing, as appropriate, may be reproduced and integrated into the site-specific layout and configuration of a system by its designer.

**Disclaimer:** This Proposed System Configuration Drawing is provided solely as a design aid and illustrates one possible configuration of a system that would comply with Orenco's design criteria for the requirements and/or specifications that have been communicated to Orenco (based on third-party standards testing protocols and performance reports, as applicable). Design decisions, including the actual layout and configuration of the system and its viability for the project, are at the sole discretion of the systems's designer.

AX20 Mode 3B

Design Aid

Drawn By: BAS

Reviewed By:

File Name: NDW-ATX-BNDR-6.DWG

Scale: 1" = 3'-0"

Sheet: 1 OF 1

Rev: 4.0 Date: 6/23/2021