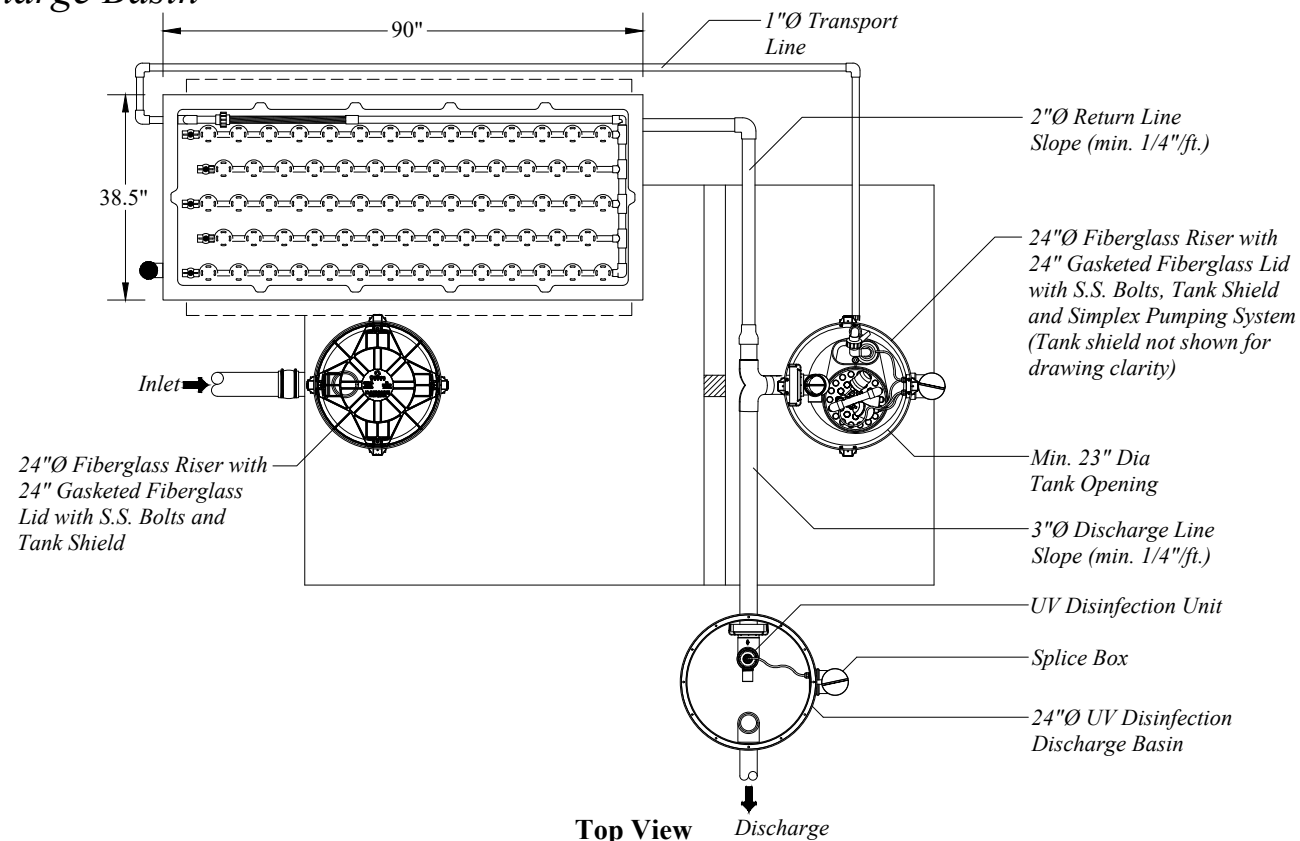


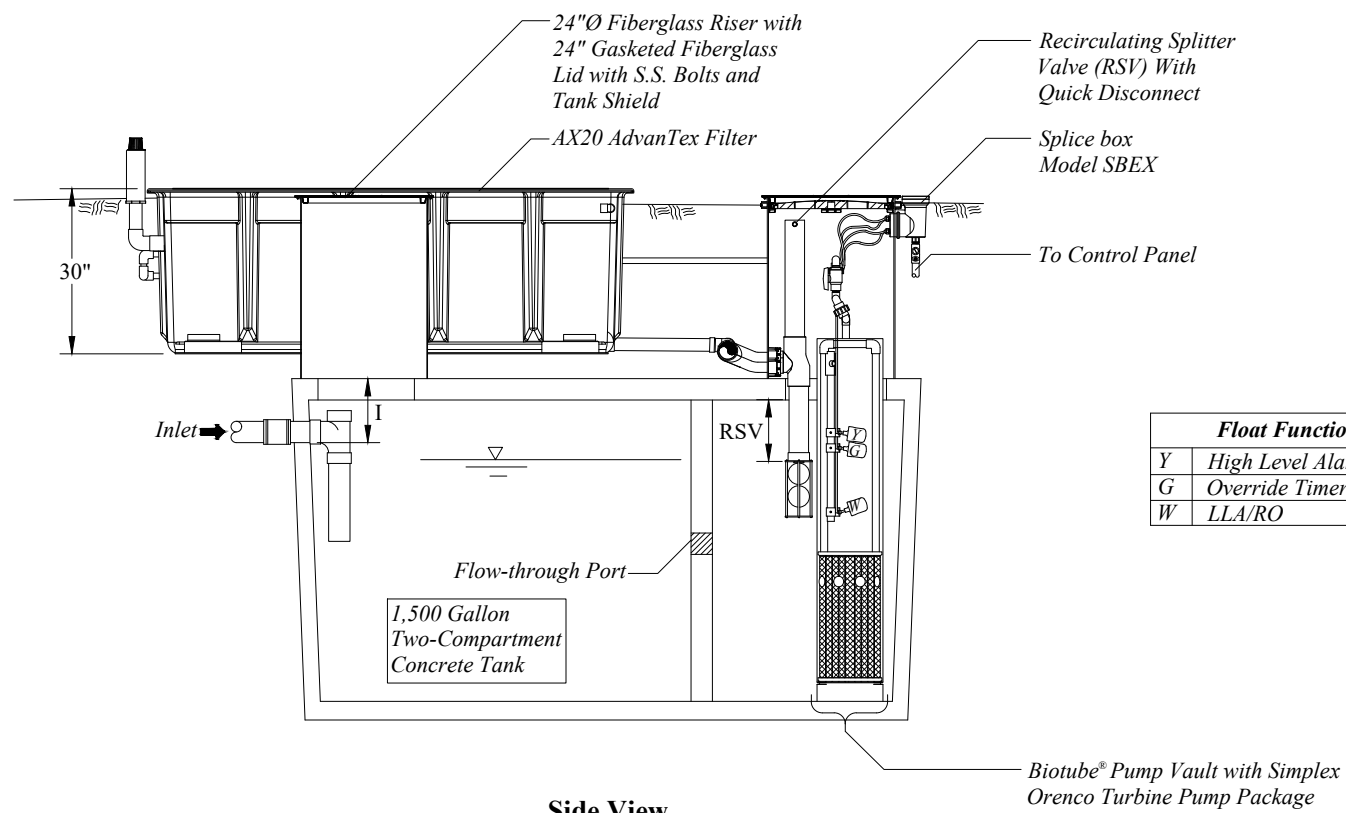
# AdvanTex® AX20 System with UV Discharge Basin

## Design Notes

Design Flow  
• Q = 500 gpd

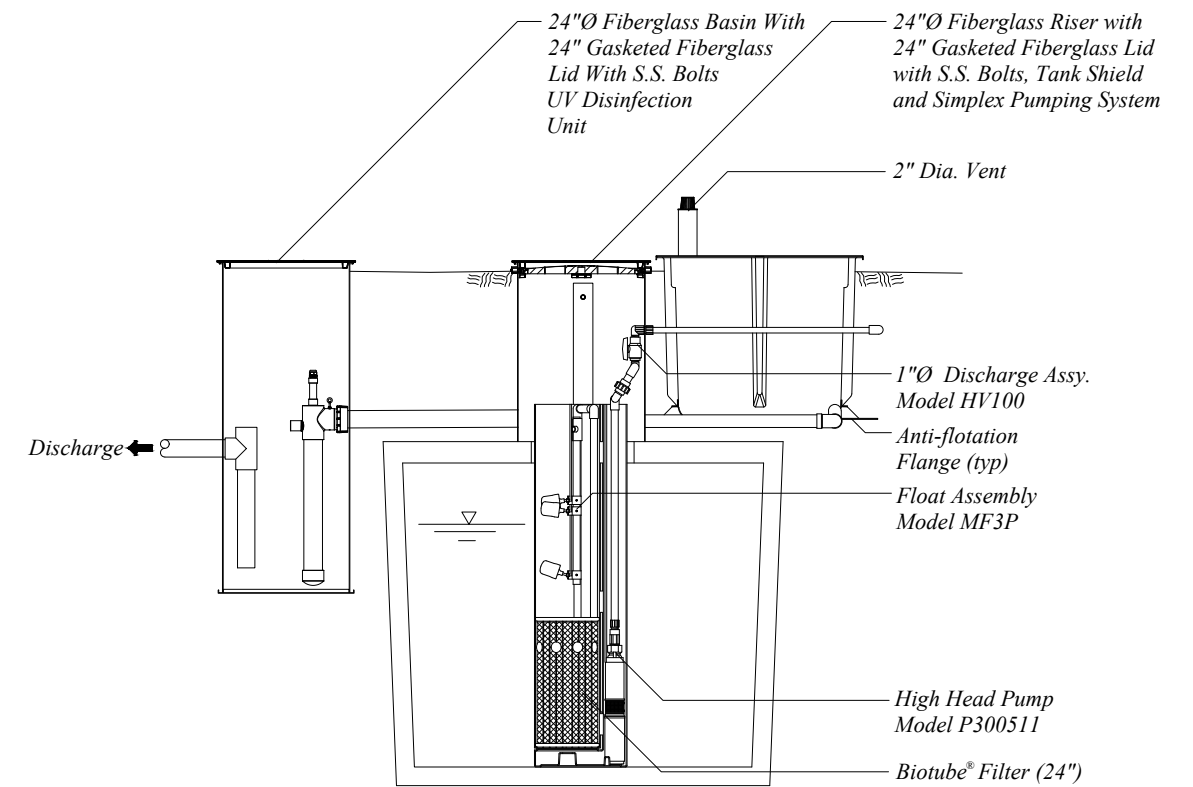


**Top View**  
Scale: 1" = 3'-0"



**Side View**  
Scale: 1" = 3'-0"

| Float Functions |                       |
|-----------------|-----------------------|
| Y               | High Level Alarm      |
| G               | Override Timer ON/OFF |
| W               | LLA/RO                |



**End View**  
Scale: 1" = 3'-0"



© Orenco Systems, Inc.  
Portions or all of this Proposed System Configuration Drawing, as appropriate, may be reproduced and integrated into the site-specific layout and configuration of a system by its designer.

**Disclaimer:** This Proposed System Configuration Drawing is provided solely as a design aid and illustrates one possible configuration of a system that would comply with Orenco's design criteria for the requirements and/or specifications that have been communicated to Orenco (based on third-party standards testing protocols and performance reports, as applicable). Design decisions, including the actual layout and configuration of the system and its viability for the project, are at the sole discretion of the systems's designer.

AX20 with UV Discharge

Design Aid

|              |                  |        |            |
|--------------|------------------|--------|------------|
| Drawn By:    | BAS              | Scale: | 1" = 3'-0" |
| Reviewed By: |                  | Sheet: | 1 OF 1     |
| File Name:   | NDW-ATX-MN-5.DWG | Rev:   | 5.0        |
|              |                  | Date:  | 11/14/2022 |