

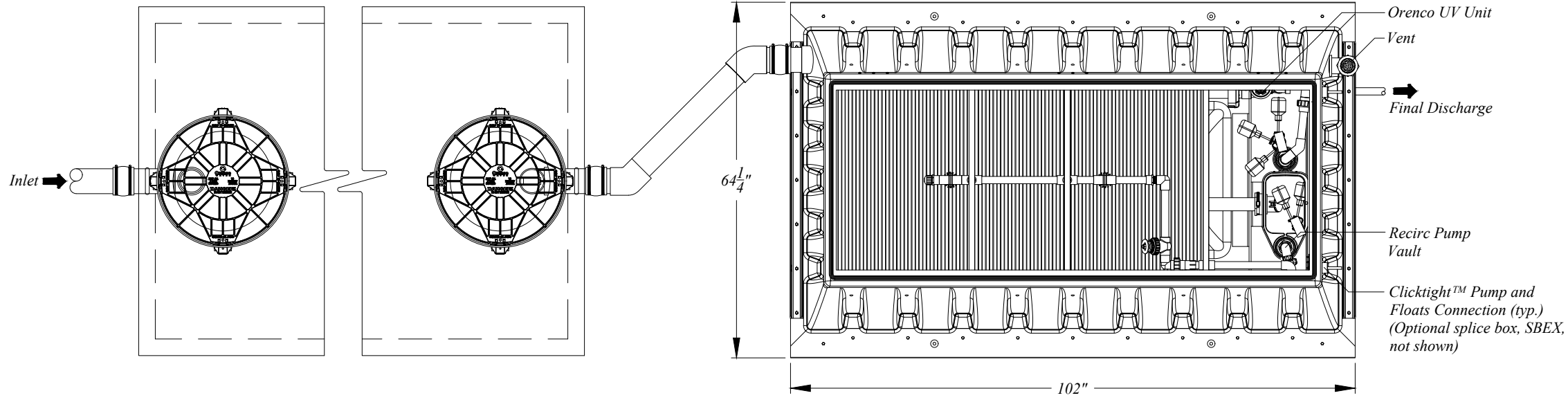
AX20RTUV Treatment System - UV with Pump Discharge

Design Notes

For residential strength waste up to 4 bedrooms.

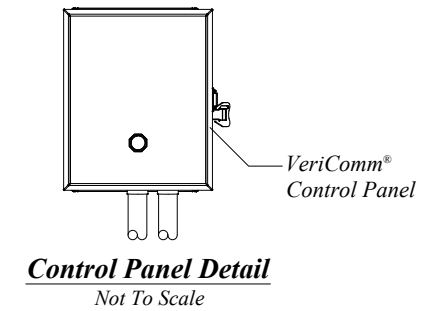
Installation to be performed by an AdvanTex Authorized Installer only.

Start-up and service to be performed by an AdvanTex Authorized Service Provider only.

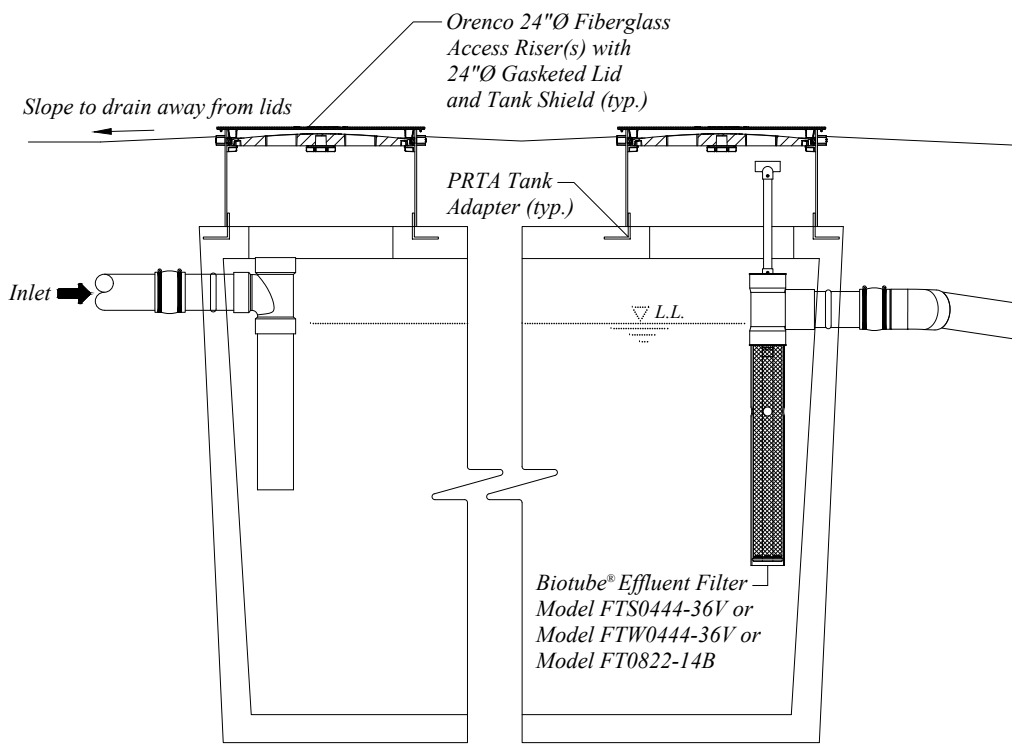


1000 gal. Primary Tank - Top View

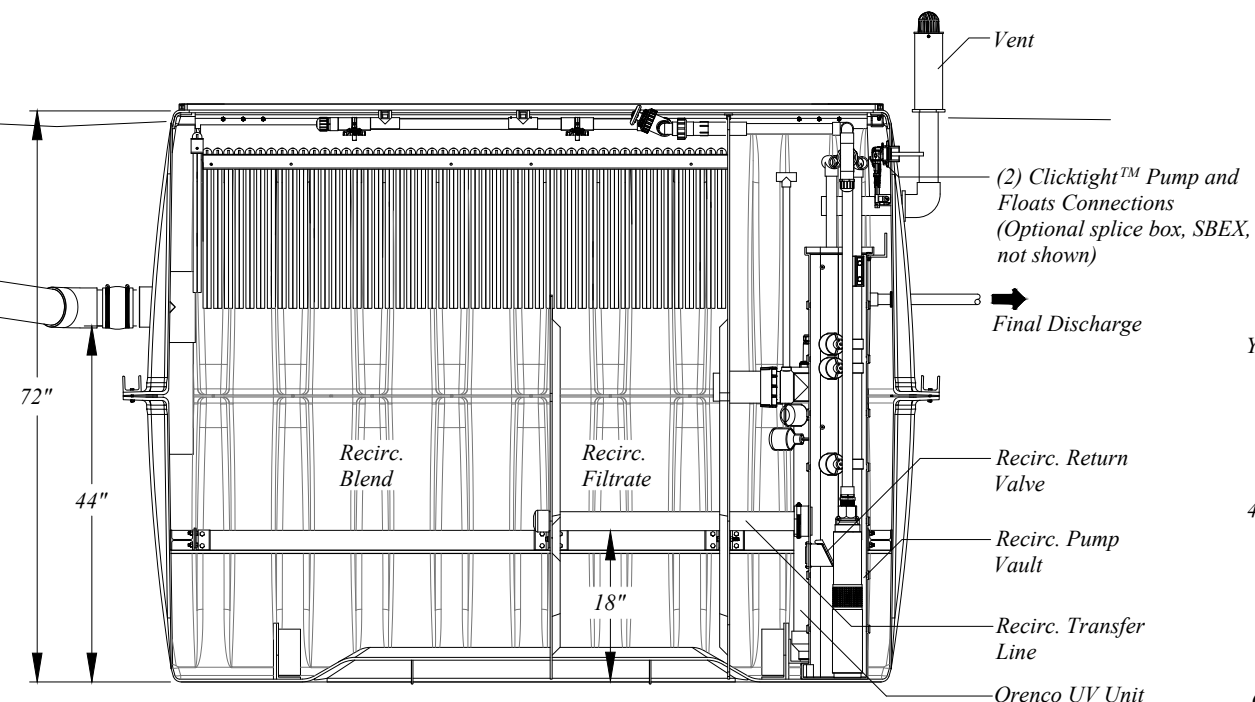
AX20 Recirc. Tank - Top View



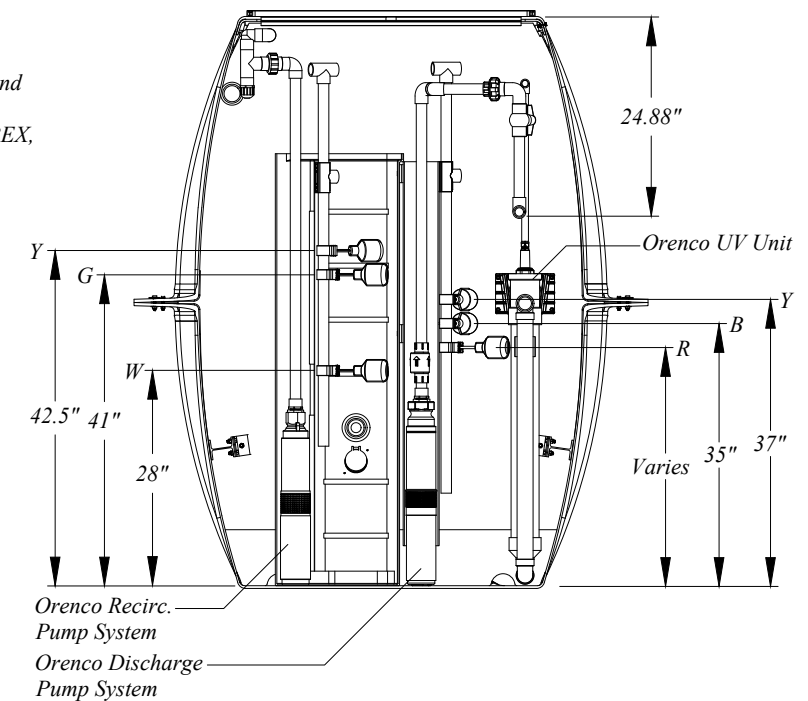
Float Functions	
Y	High Level Alarm
B	Pump On
G	Override Timer ON/OFF
R	Pump Off
W	LLA/RO



1000 gal. Primary Tank - Side View



AX20 Recirc. Tank - Side View



Discharge Chamber - End View



© Orenco Systems, Inc.
Portions or all of this Proposed System Configuration Drawing, as appropriate, may be reproduced and integrated into the site-specific layout and configuration of a system by its designer.

Disclaimer: This Proposed System Configuration Drawing is provided solely as a design aid and illustrates one possible configuration of a system that would comply with Orenco's design criteria for the requirements and/or specifications that have been communicated to Orenco (based on third-party standards testing protocols and performance reports, as applicable). Design decisions, including the actual layout and configuration of the system and its viability for the project, are at the sole discretion of the systems's designer.

AX20RTUV Mode 1B

Details

Drawn By:	BAS	Scale:	1" = 2'-0"
Reviewed By:		Sheet:	1 OF 1
File Name:	NDW-ATX-RT-STD-02.DWG	Rev:	11.0
		Date:	12/12/2022