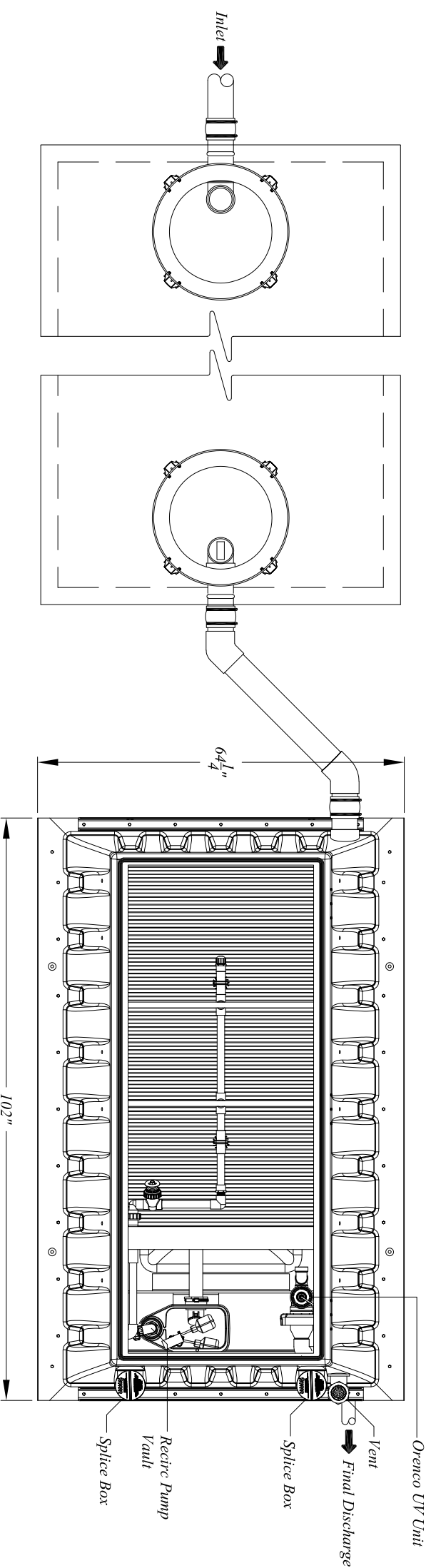
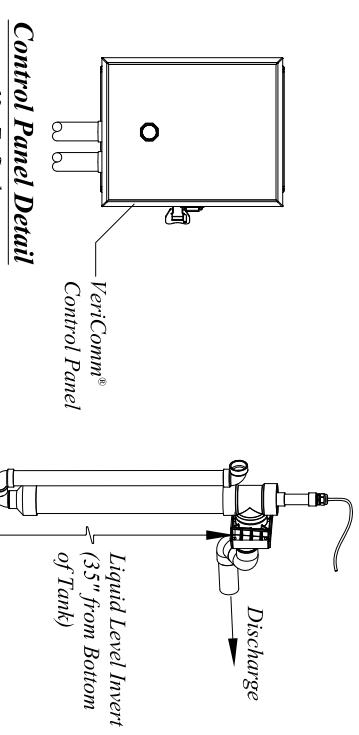


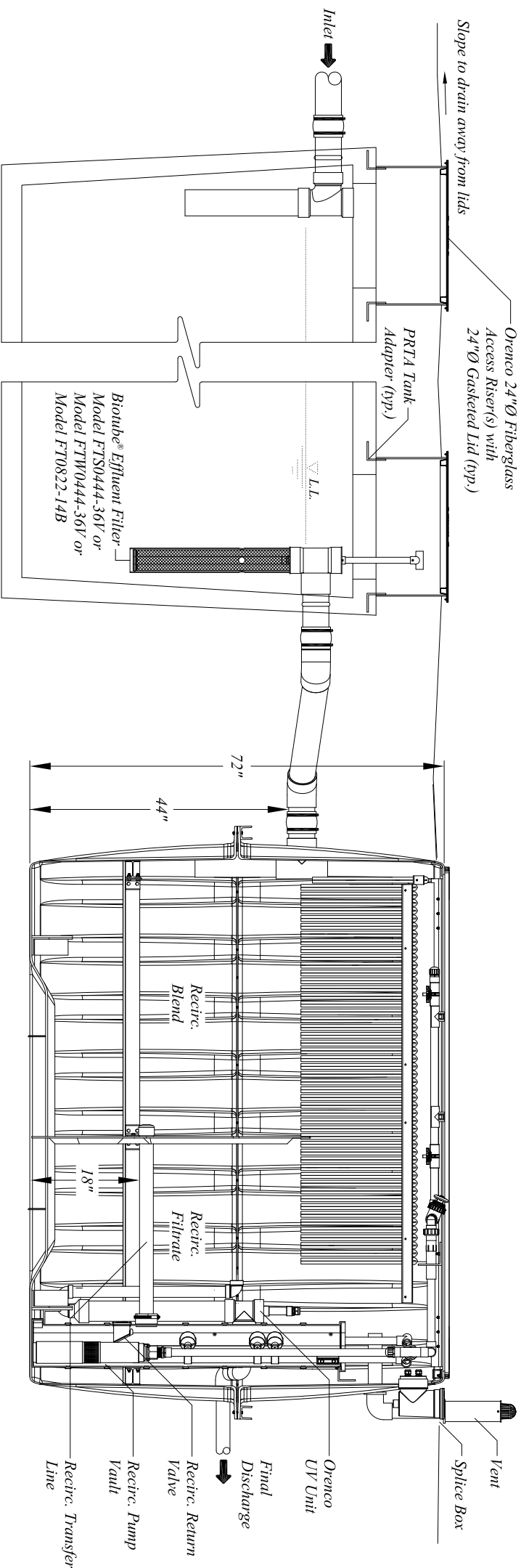
# AX20RTUV Treatment System - UV with Gravity Discharge



1000 gal. Primary Tank - Top View

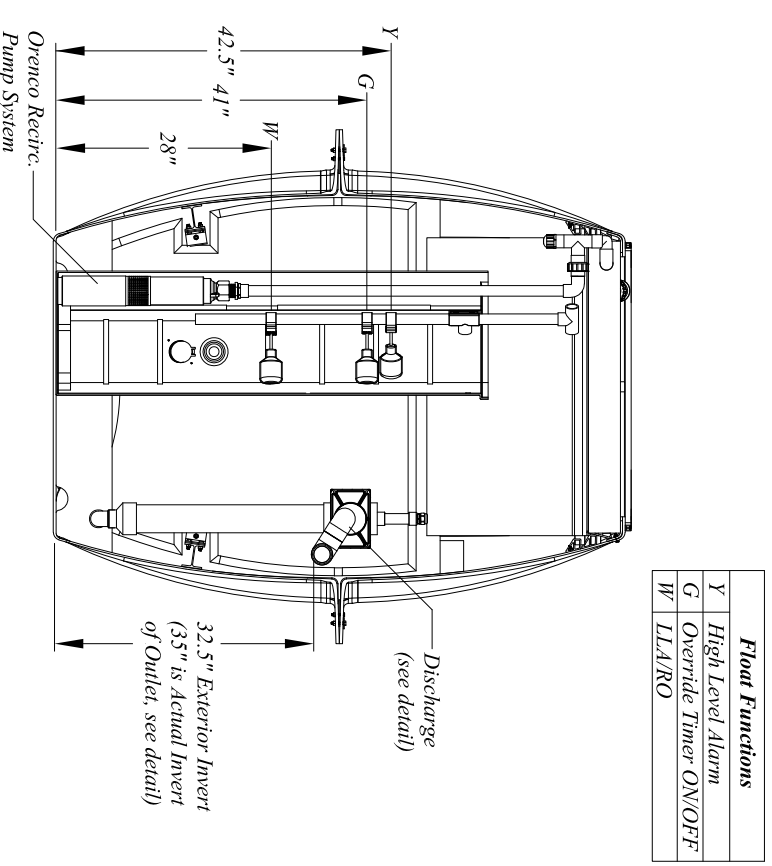


**Design Notes**  
 For residential strength waste up to 4 bedrooms.  
 Installation to be performed by an AdvanTex Authorized Installer only.  
 Start-up and service to be performed by an AdvanTex Authorized Service Provider only.



1000 gal. Primary Tank - Side View

AX20 Recirc. Tank - Top View



AX20 Recirc. Tank - Side View

Discharge Chamber - End View



© Orengo Systems, Inc.  
 Portions or all of this Standard System Configuration Drawing, as appropriate, may be reproduced and integrated into the site-specific layout and configuration of a system by its designer.

**Disclaimer:** This Standard System Configuration Drawing is provided solely as a design aid, and in no event should it be used as a replacement for site-specific engineering and design of the layout and configuration of an actual system. Orengo neither represents nor warrants that the configuration illustrated herein will perform in compliance with the requirements for any particular site or application.

Project: **AX20RTUV Mode 1A**  
 Description: **Details**

Drawn By: **BAS** Scale: **1" = 2'-0"**  
 Reviewed By: **Sheet: 1 OF 1**  
 File Name: **NDW-ATX-RT-STD-14.DWG** Rev: **10** Date: **7/19/2021**