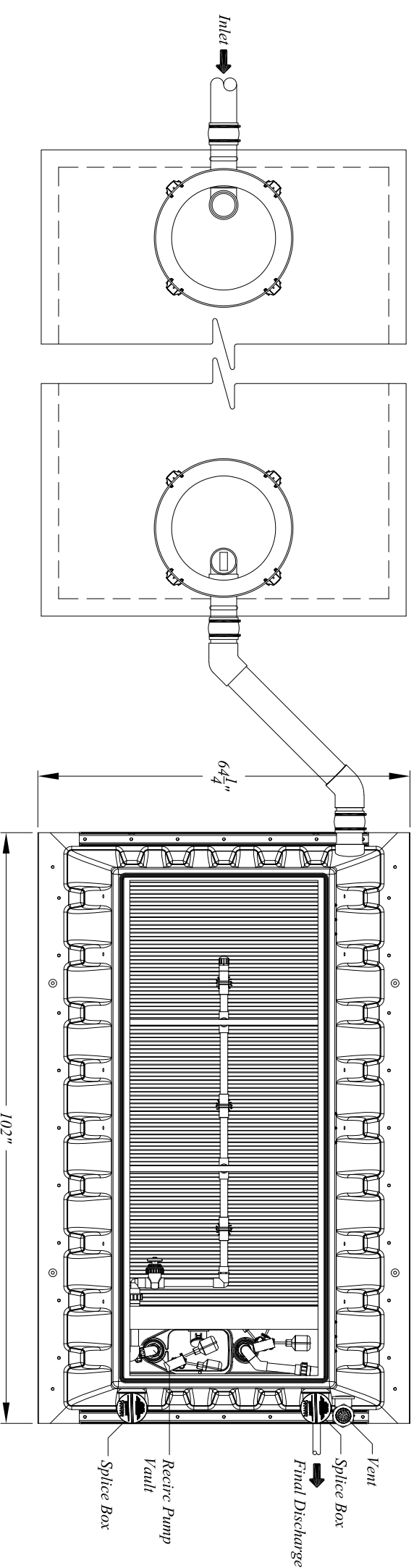
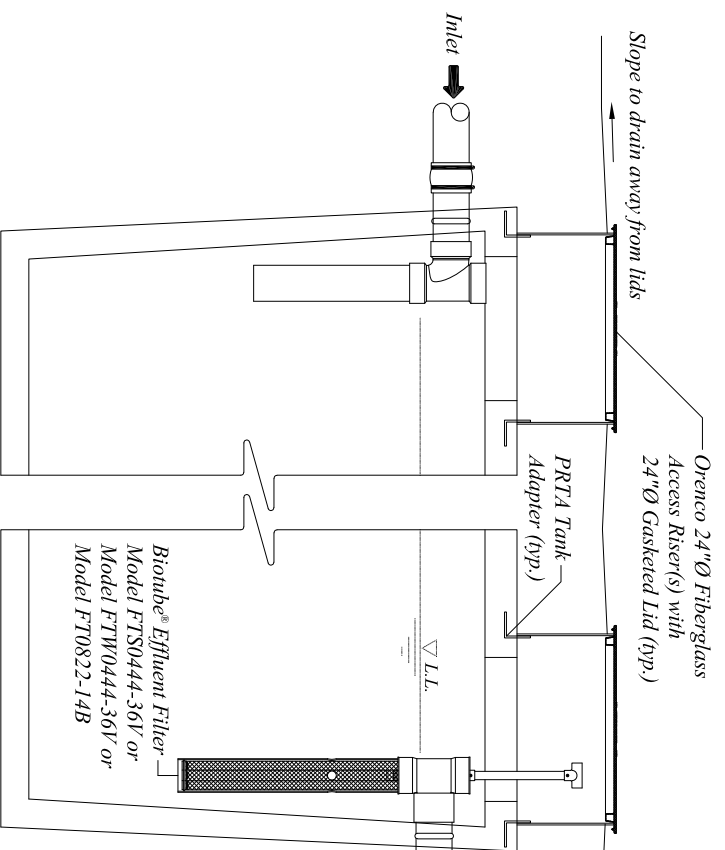


AX25RT Treatment System - Pump Discharge

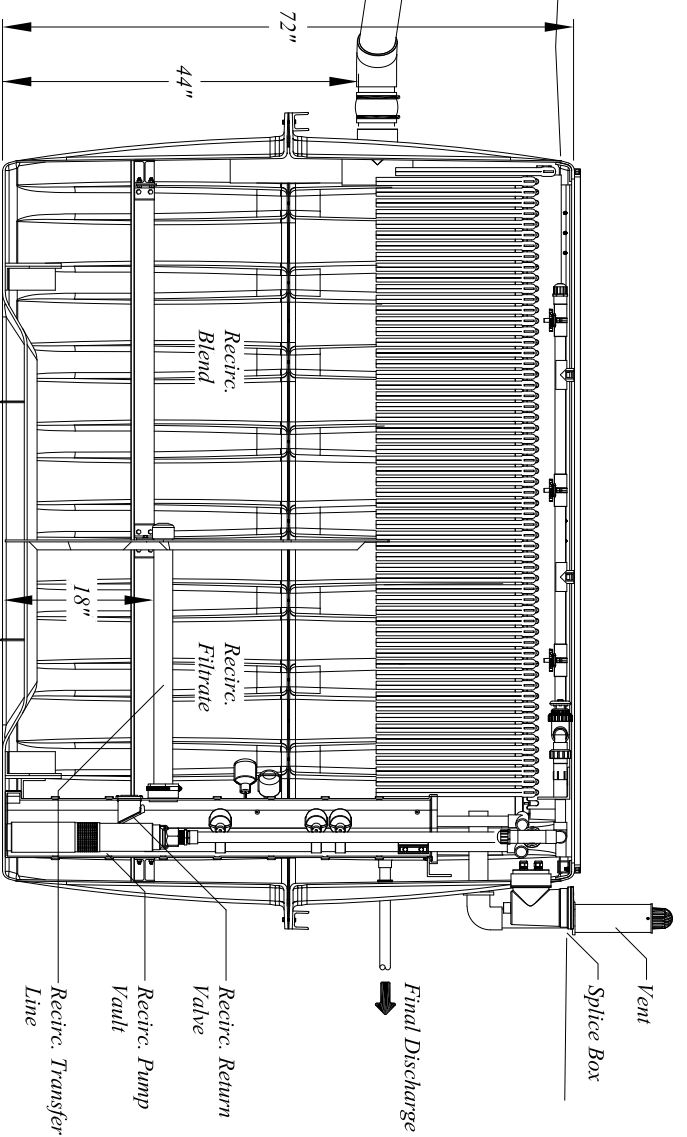


Design Notes
 For residential strength waste up to 6 bedrooms.
 Installation to be performed by an AdvanTex Authorized Installer only.
 Start-up and service to be performed by an AdvanTex Authorized Service Provider only.

** Primary Tank - Top View*

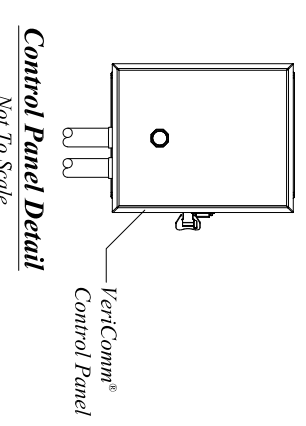


AX25 Recirc. Tank - Top View



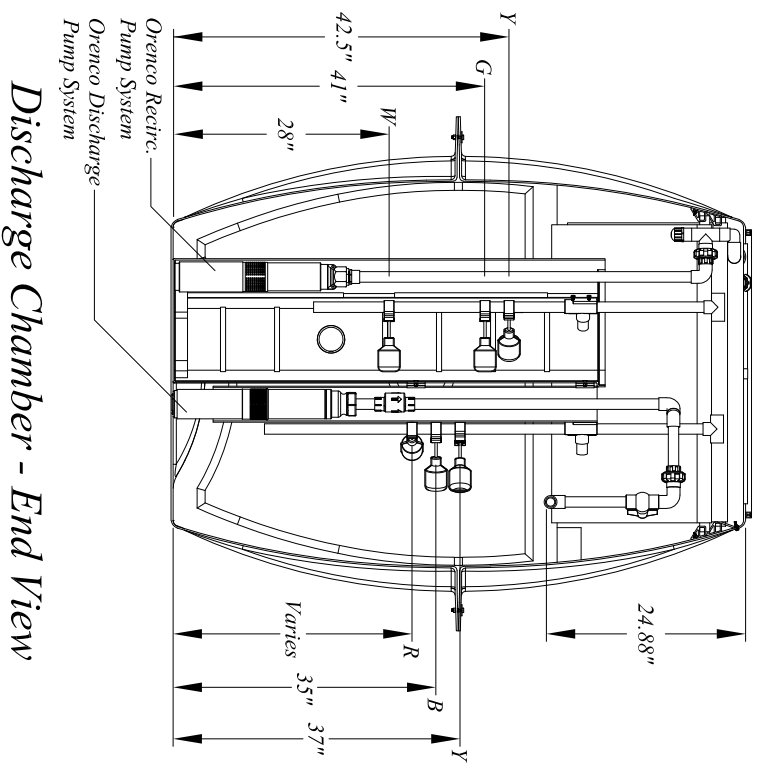
1000 gal. Primary Tank - Side View

AX25 Recirc. Tank - Side View



Control Panel Detail
 Not To Scale

Float Functions	
Y	High Level Alarm
B	Pump On
G	Override Timer ON/OFF
R	Pump Off
W	LLARO



* 1,250 Gallons minimum capacity for 5 bedrooms
 1,500 Gallons minimum capacity for 6 bedrooms.



© Orenco Systems, Inc.
 Portions or all of this Standard System Configuration Drawing, as appropriate, may be reproduced and integrated into the site-specific layout and configuration of a system by its designer.

Disclaimer: This Standard System Configuration Drawing is provided solely as a design aid, and in no event should it be used as a replacement for site-specific engineering and design of the layout and configuration of an actual system. Orenco neither represents nor warrants that the configuration illustrated herein will perform in compliance with the requirements for any particular site or application.

Project: **AX25RT Mode 1B**
 Description: **Details**

Drawn By: **BAS** Scale: **1" = 2'-0"**
 Reviewed By: **1 OF 1**
 File Name: **NDW-ATX-RT-STD-18.DWG** Rev: **12.0** Date: **7/19/2021**