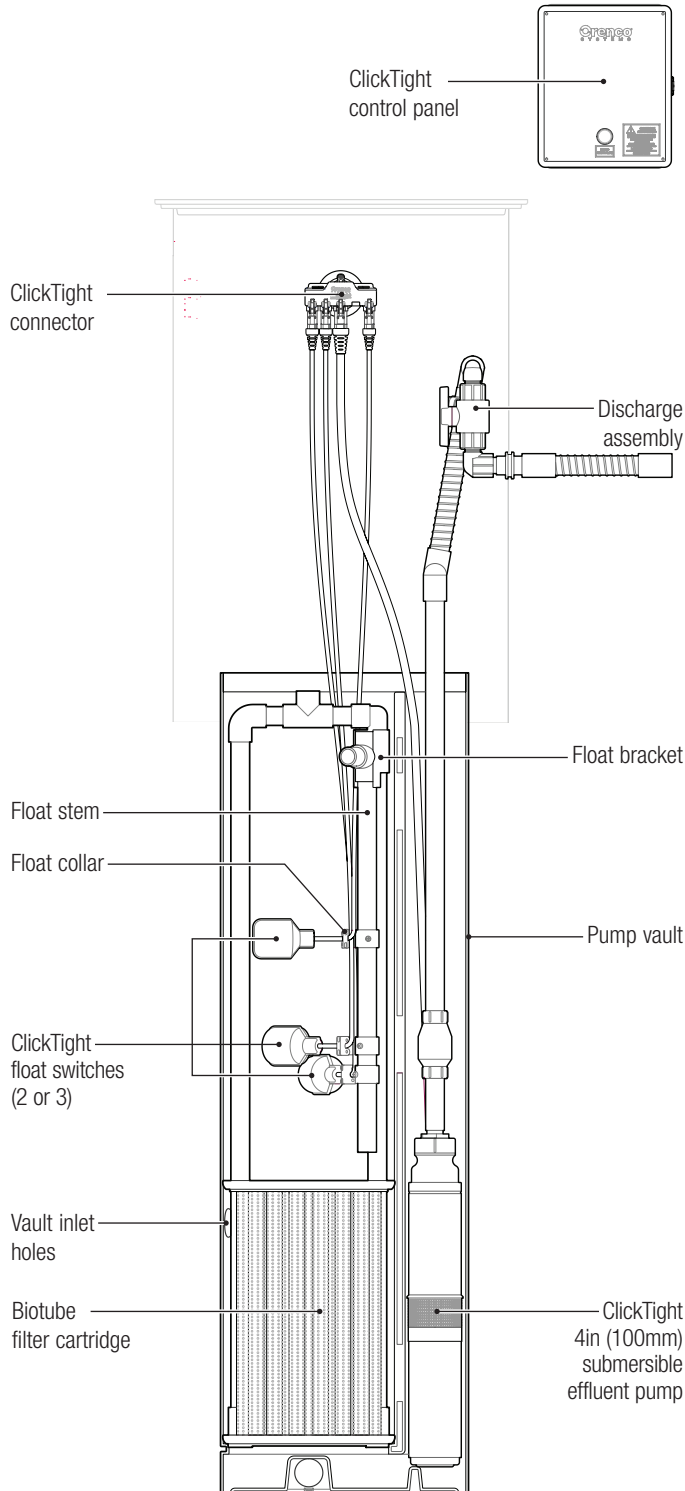


Biotube[®] ProPak[™] 60Hz Pump Package

With ClickTight[™] Controls



Applications

The Biotube ProPak Pump Package with ClickTight Controls is designed to filter and pump effluent from a one- or two-compartment septic tank or pump tank to gravity or pressurized dispersal.

Packages for on-demand dosing or timed dosing at 10, 20, 30, and 50gpm (0.6, 1.3, 1.9, and 3.2L/sec) and 50Hz are available.

General

Orenco's Biotube ProPak Pump Package with ClickTight Controls makes it simple to select and install the correct pump and controls package. Its patented Biotube pump vault technology eliminates the need for separate dosing tanks. The pump vault also allows removal of the effluent filter for cleaning with no need to remove the pump vault or pump, which simplifies servicing.

Orenco's integrated ClickTight Controls connect a pump, up to four floats, and a control panel without the use of splice boxes, field-spliced wires, or watertight wire nuts. It also eliminates the need for conduit sealing. The Orenco ClickTight connector is UL-listed for the US and Canada.

For more information on specific ProPak components and options, see the following Orenco technical documents:

- *ClickTight Controls Package* (NTD-CLK-2)
- *Discharge Assemblies* (NTD-HV-HV-1)
- *HDA Discharge Assemblies* (NTD-HDA-1)
- *PF-Series Submersible Effluent Pumps: 1-Phase, 60-Hz, 4-inch (100-mm)* (NTD-PU-PF-1)
- *PVA-Series 4-in. (100-mm) Submersible Effluent Pumps* (NTD-PU-PVA-1)
- *Universal Biotube Pump Vaults* (NTD-PVU-1)
- *PVP-Series Biotube Pump Vaults* (NTD-PVU-3)
- *PV-Series Biotube Pump Vaults* (NTD-PVU-2)

Biotube ProPak with ClickTight Controls

Product Code Diagram

BPPCLK - - - - - -

Discharge assembly; details:

- SD1 = HV100BCFCX; field-cut, 1in PVC, ball valve, check valve, flow control, 10gpm pumps only
- SD2 = HV100BCX; field-cut, 1in PVC, ball valve, check valve, 10 or 20gpm pumps
- SD3 = HV125BCX; field-cut, 1.25in PVC, ball valve, check valve, 30gpm pumps
- SD4 = HV200BCX; field-cut, 2in PVC, ball valve, check valve, 50gpm pumps
- CW1 = HV100BCFCX + HVCW100-KIT; field-set, 1in PVC, ball valve, check valve, flow control, 10gpm pumps only
- CW2 = HV100BCX + HVCW100-KIT; field-set, 1in PVC, ball valve, check valve, 10 or 20gpm pumps
- CW3 = HV125BCX + HVCW125-KIT; field-set, 1.25in PVC, ball valve, check valve, 30gpm pumps
- CW4 = HV200BCX + HVCW200-KIT; field-set, 2in PVC, ball valve, check valve, 50gpm pumps
- DB1 = HV100B-DB; field-set, ball valve, drainback, 10 or 20gpm pumps
- DB2 = HV125B-DB; field-set, ball valve, drainback, 30gpm pumps
- DB3 = HV200B-DB; field-set, ball valve, drainback, 50gpm pumps
- HD1 = HDA24125FCASLC-FS; field-set, 1.25in hose, flow control, P01 (PF100511CV) pump only
- HD2 = HDA24125ASLC-FS; field-set, 1.25in hose, P01 (PF100511CV) pump only
- HD3 = HDA24125CFASLC-FS; field-set, 1.25in hose, check valve, flow control, 10gpm pumps only
- HD4 = HDA24125CASLC-FS; field-set, 1.25in hose, check valve, 10, 20, or 30gpm pumps

Pump vault height, in (mm), for 18in (450mm) diameter filter:

- 48 = 48 (1219) PVU-Series 60 = 60 (1524) PVP-Series
- 57 = 57 (1448) PVU-Series 55 = 55 (1397) PV-Series
- 68 = 68 (1727) PVU-Series

ClickTight cable length, ft (m):

- 60 = 62 (19)

Float switch & pump cord lengths, ft (m):

- 10 = 10 (3)
- 20 = 20 (6)

Control panel; float switches:

- S11 = S1; 3P M11 = MVP-S1DM; 3P
- S12 = S1ETMCT; 3P M12 = MVP-S1DMHT; 3P
- S13 = S1HR; 2P M13 = MVP-S1DMHTSA; 3P
- S14 = S1PTRO; 2BN M14 = MVP-S1DMHTMTSGR-NC; 3P
- S15 = S1PTROETMCT; 2BN M15 = MVP-S1DM(DEMAND); 3P
- S16 = S1RO; 3PN M21 = MVP-S2DM; 3P
- S17 = S1ROETMCT; 3PN M22 = MVP-S2DMHT; 3P
- S18 = S1ROETMCTSA; 3PN M23 = MVP-S2DMHTSA; 3P
- S19 = S1ROMTSGR-NC; 3PN

Submersible effluent pump model; details:

- P01 = PF100511CV; 10gpm (0.6L/sec), 0.50hp (0.37kW), 120V for HD1 and HD2 only
- P02 = PF100511; 10gpm (0.6L/sec), 0.50hp (0.37kW), 120V
- P03 = PF100512; 10gpm (0.6L/sec), 0.50hp (0.37kW), 240V
- P04 = PF100712; 10gpm (0.6L/sec), 0.75hp (0.56kW), 240V
- P05 = PF101012; 10gpm (0.6L/sec), 1.00hp (0.75kW), 240V
- P08 = PF200511; 20gpm (1.3L/sec), 0.50hp (0.37kW), 120V
- P09 = PF200512; 20gpm (1.3L/sec), 0.50hp (0.37kW), 240V
- P10 = PF201012; 20gpm (1.3L/sec), 1.00hp (0.75kW), 240V
- P11 = PF300511; 30gpm (1.9L/sec), 0.50hp (0.37kW), 120V
- P12 = PF300512; 30gpm (1.9L/sec), 0.50hp (0.37kW), 240V
- P13 = PF300712; 30gpm (1.9L/sec), 0.75hp (0.56kW), 120V
- P14 = PF301012; 30gpm (1.9L/sec), 1.00hp (0.75kW), 240V
- P15 = PF500511; 50gpm (3.2L/sec), 0.50hp (0.37kW), 120V
- P16 = PF500512; 50gpm (3.2L/sec), 0.50hp (0.37kW), 240V
- P17 = PF500712; 50gpm (3.2L/sec), 0.75hp (0.56kW), 240V
- P18 = PF501012; 50gpm (3.2L/sec), 1.00hp (0.75kW), 240V
- P90 = PVA100511; 10gpm (0.6L/sec), 0.50hp (0.37kW), 120V
- P91 = PVA300511; 30gpm (1.9L/sec), 0.50hp (0.37kW), 120V
- P92 = PVA500511; 50gpm (3.2L/sec), 0.50hp (0.37kW), 120V

Biotube® ProPak™ with ClickTight™ Controls