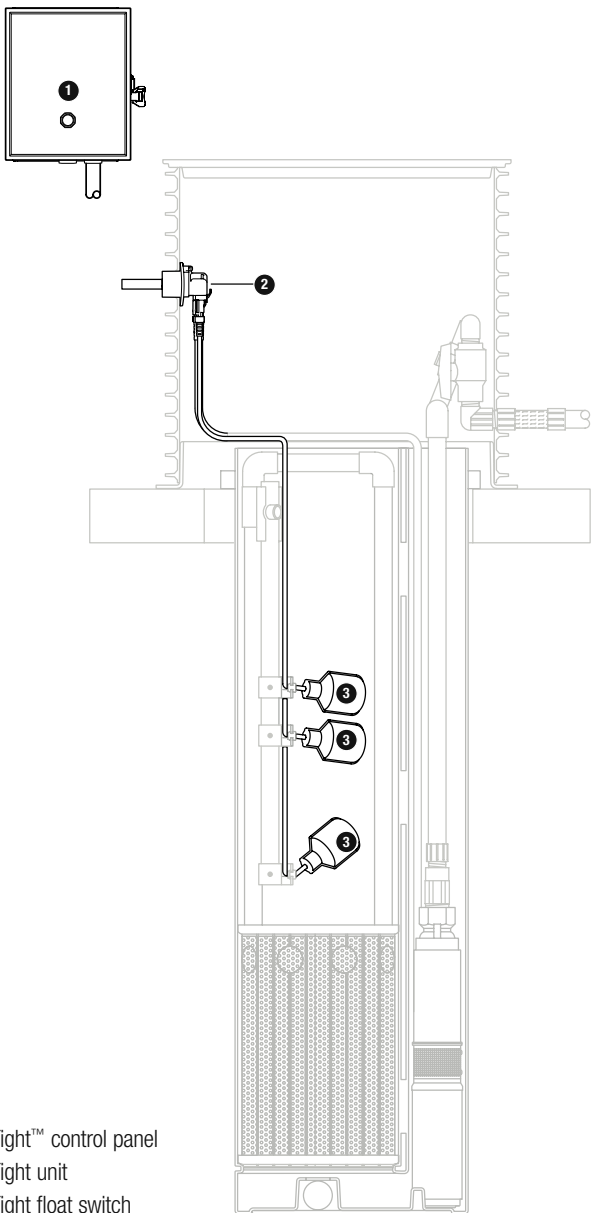


# ClickTight™ Controls Package

## Applications

The Orenco® ClickTight™ Controls Package is an integrated set of wastewater controls components designed to provide secure wiring connections. It connects a pump, up to four float switches, and a control panel in an onsite wastewater system, without the use of splice boxes, field-spliced wires, or watertight wire nuts. And it eliminates the need for conduit sealing.

The Orenco ClickTight is UL-listed for the US and Canada. ClickTight connectors are IP67 rated.



- 1 ClickTight™ control panel
- 2 ClickTight unit
- 3 ClickTight float switch

*ClickTight™ components (optional plug cord adapter not shown)*

## General

Orenco's ClickTight Controls Package is a complete, integrated package for making fast and easy wiring connections. It greatly reduces the risk of electrical failures due to moisture, faulty splices, improperly installed waterproof wire nuts, or corrosion.

The ClickTight Controls Package includes ...

- ClickTight™
- ClickTight control panel
- Up to four ClickTight float switches
- Optional ClickTight pump adapter plug\*

*\*ClickTight-compatible PF-series effluent pumps are available. See NTD-CLK-1, ClickTight Products, for more information.*

## Product Code Diagrams

CLKP - [ ] - [ ] - [ ] - [ ]

Pump cord adapter option:  
PA = Pump cord adapter  
NA = No pump cord adapter included

Cable length, ft (m):  
60 = 62 (19)

Float switch cord length, ft (m):  
10 = 10 (3)  
20 = 20 (6)

Control panel; float switches:

- |                         |                              |
|-------------------------|------------------------------|
| S11 = S1; 3P            | M11 = MVP-S1DM; 3P           |
| S12 = S1ETMCT; 3P       | M12 = MVP-S1DMHT; 3P         |
| S13 = S1HR; 2P          | M13 = MVP-S1DMHTSA; 3P       |
| S14 = S1PTRO; 2BN       | M14 = MVP-S1DMHTMTSGR-NC; 3P |
| S15 = S1PTROETMCT; 2BN  | M15 = MVP-S1DM(DEMAND); 3P   |
| S16 = S1RO; 3PN         | M21 = MVP-S2DM; 3P           |
| S17 = S1ROETMCT; 3PN    | M22 = MVP-S2DMHT; 3P         |
| S18 = S1ROETMCTSA; 3PN  | M23 = MVP-S2DMHTSA; 3P       |
| S19 = S1ROMTSGR-NC; 3PN |                              |

ClickTight™ controls package

## ClickTight™ Unit

Orenco's ClickTight greatly reduces the risk of electrical failures in onsite wastewater systems by providing secure, water-resistant cable connections between a ClickTight-compatible pump, up to four ClickTight-compatible float switches, and a control panel. It eliminates the need for splice boxes, field-spliced wires, wire nuts, and conduit seals.

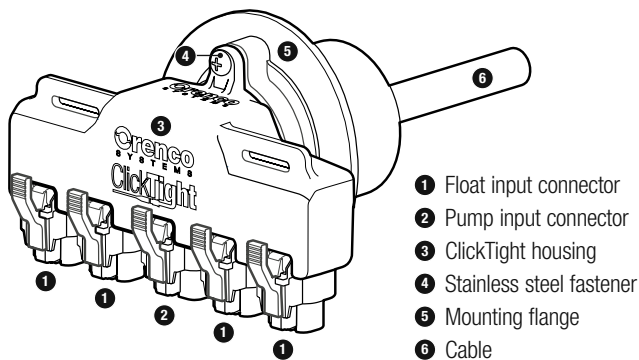
ClickTight is UL-listed for the US and Canada for 120V/240V applications. ClickTight connectors are IP67 rated.

### Materials of Construction

Cable	PVC/nylon, annealed copper
Connectors	Glass-filled thermoplastic, silicone
Fastener	Stainless steel
Housing	ABS
O-ring	Buna N
Potting compound	Urethane

### Specifications

Cable	14 AWG; 3-conductor; UL TC-ER 600V (pump) 18 AWG; 2-8 conductor; UL TC-ER 600V (float)
Cable length, maximum, ft (m)	62 (19)
Float switch connectors	2-pole, IP67
Pump connector	3-pole, IP67



*ClickTight™ unit*

## ClickTight Float Switches

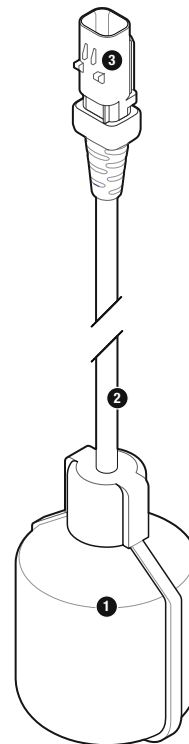
ClickTight float switches are mechanical, non-mercury switches. They are cUL-listed and CSA-certified for use in water or sewage.

### Materials of Construction

Float switch collar	ABS
Float switch cord	Flexible, 2-conductor (UL, CSA) SJOW; water-resistant CPE cord jacket with EPDM insulated conductors
Float switch housing	Impact-resistant, noncorrosive polypropylene for use in liquids up to 140° F (60° C)
Float switch connector	Glass-filled thermoplastic, silicone, IP67

### Float Switch Specifications

Float	State	Type
B	Normally open	Mechanical
P	Normally open	Mechanical
N	Normally closed	Mechanical



*ClickTight mechanical float switch*

## ClickTight Pump Cord Adapters

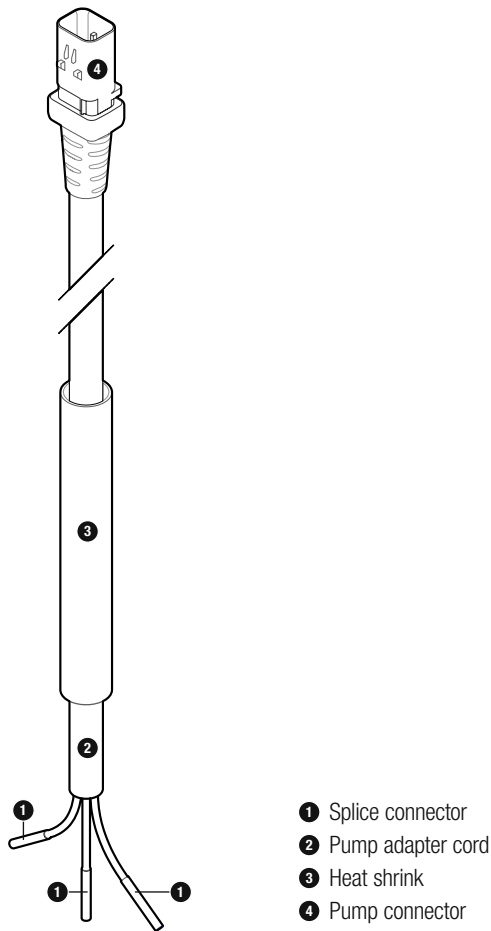
Orenco's ClickTight pump cord adapters provide a means of retrofitting a ClickTight pump connector to an existing Orenco pump or a customer-sourced, single-phase, 120V/240V pump of up to 1 hp (0.75 kW) and rating of 13 FLA.

### Materials of Construction

Connector	Glass-filled thermoplastic, silicone
Heat shrink	Adhesive-filled polyolefin
Splice connector	Nylon, copper

### Specifications

Connector	3-pole, IP67
Cord	3-conductor, 16 AWG, SOOW, 600V
Heat shrink	12-6 AWG, 600V
Splice connector	16-14 AWG



- ① Splice connector
- ② Pump adapter cord
- ③ Heat shrink
- ④ Pump connector

*ClickTight pump cord adapter*

## ClickTight S Control Panels

Orenco's ClickTight S control panels are electromechanical panels specifically engineered for controlling single pumps in conjunction with the ClickTight controls package.

### Materials of Construction

Enclosure	UV-resistant fiberglass, UL Type 4X (IP 66)
Hinges and latches	Stainless steel

### Dimensions, in. (mm)

Height	11.5 (292)
Width	9.3 (236)
Depth	5.4 (137)

### Specifications

Audio alarm	95 dB at 24 in. (600 mm), warble-tone sound, UL Type 4X
Audio alarm silence relay	120 VAC, automatic reset, DIN rail mount
Circuit breakers	120 VAC, 10 A, OFF/ON switch, single pole
Motor-start contactor	16 FLA, 1 hp (0.75 kW), 60 Hz; 2.5 million cycles at FLA
Panel ratings	120 VAC, 1 hp (0.75 kW), 16 A, 1-phase, 60 Hz
Pump circuit breaker	20 A, OFF/ON switch, single pole (120 VAC) or double-pole (240 VAC), DIN rail mounting with thermal magnetic tripping characteristics
Toggle switch	Single-pole, double-throw HOA switch
Visual alarm	7/8-in. (22-mm) diameter red lens, "push-to-silence," 120 VAC LED, UL Type 4X

### Model-Specific Options

Elapsed time meter	120 VAC, 7-digit, non-resettable. Limit of 99,999 hours; accurate to 0.01 hours
Event counter	120 VAC, 6-digit, non-resettable
Programmable timer	Repeat cycle from 0.05 seconds to 30 hours; separate variable controls for OFF & ON time period
Redundant high-on relay	120 VAC, DIN rail mount; provides a secondary pump-on during high-level conditions
Redundant-off relay	120 VAC, DIN rail mount; provides a secondary off; sounds alarm on low-level condition
Surge arrester	Status light on unit; protects incoming power supply from electrical surges

## ClickTight M Control Panels

Orenco's ClickTight M control panels provide timed- or demand-dosing controls with an easy-to-use, programmable logic unit (PLU) that incorporates many timing and logic functions, such as multiple timing intervals to adjust for changing flow conditions and a built-in elapsed time meter and counter. They are specifically engineered for controlling single pumps in conjunction with the ClickTight controls package.

### Materials of Construction

Enclosure	UV-resistant fiberglass, UL Type 4X (IP 66)
Hinges and latches	Stainless steel

### Dimensions, in. (mm)

Height	11.5 (292)
Width	9.3 (236)
Depth	5.4 (137)

### Specifications

Audio alarm	95 dB at 24 in. (600 mm), warble-tone sound, UL Type 4X
Circuit breakers	120 VAC, 10 A, OFF/ON switch, single pole
Dual-mode operation	Programmable for timed- and demand-dosing
Motor-start contactor	16 FLA, 1 hp (0.75 kW), 60 Hz; 2.5 million cycles at FLA
Panel ratings	120 VAC, 1 hp (0.75 kW), 16 A, 1-phase, 60 Hz
Programmable logic unit	120V programmable logic unit with built-in LCD screen and programming keys; provides control functions and timing for panel operation
Pump circuit breaker	20 A, OFF/ON switch; single-pole (120 VAC) or double-pole (240 VAC), DIN rail mounting with thermal magnetic tripping characteristics
Toggle switch	Single-pole, double-throw HOA switch
Visual alarm	7/8-in. (22-mm) diameter red lens, "push-to-silence," 120 VAC LED, UL Type 4X

### Model-Specific Options

Heater	Anti-condensation heater; self-adjusting feature radiates additional wattage as temperature drops
Surge arrester	Status light on unit; protects incoming power supply from electrical surges