

DuraFiber™ FLD Access Lids

Applications

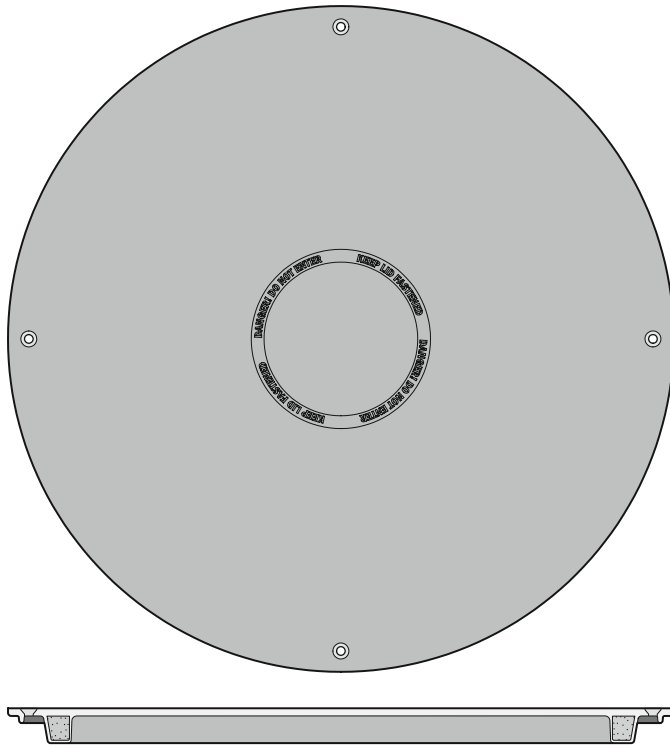
Orenco DuraFiber FLD Access Lids provide secure, durable, watertight coverings for ribbed PVC, HDPE, and Orenco FRP risers, pump basins, and access ports. They are capable of supporting a 2500lb (1134kg) wheel load; however, they are not recommended for vehicular traffic.

FLD24 24in (600mm) lids require an RLA24 adapter to connect to Perma-Loc™ pipe. FLD30 30in (750mm) lids are not compatible with RLA30 Riser-Lid-Adapters or 30in (750mm) Perma-Loc pipe.

General

DuraFiber FLD lids are designed for extreme durability and damage resistance, with UV- and corrosion-resistant materials, optional EPDM gaskets for watertight lid-to-riser connections, and flat-style flanges for easy access with clean, flush-to-grade installations. They also have centering rings for easy alignment. FLD lids feature a non-skid surface and a molded-in caution statement, with room for a customer logo. All come with four 5/16in stainless steel flathead socket cap screws and a hex key wrench.

FLD lids are available with optional insulation, installed at the factory or in kits that can be installed in the field. Optional stainless steel lid locks for FLD24 lids can be field-installed (FL-Lid Lock) or factory-installed (FL-Lid Lock-Adder).

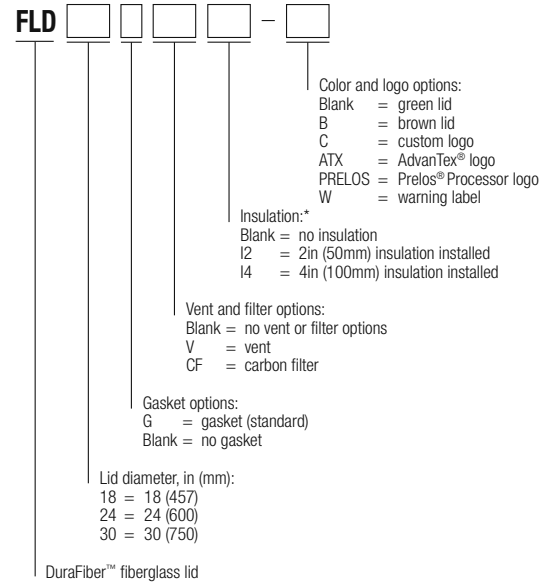


DuraFiber FLD lid: top view and side-cutaway view

Standard Models

FLD18G, FLD24G, FLD24G-ATX, FLD24G-W, FLD30G, FLD30G-ATX, FLD30G-PRELOS, FLD30G-W

Product Code Diagram



* Insulation has an R-value of 10 per 2in (50mm) increment.

Materials of Construction

Lid	Fiberglass-reinforced polymer (FRP)
Gasket	Urethane (FLD18)
Gasket	EPDM (FLD24, FLD30)
Centering ring core	Structural foam
Mounting hardware	Stainless steel
Insulation (optional)	Closed-cell foam
Insulation mounting hardware	Stainless steel

All product and performance assertions are based on proper design, installation, operation, and maintenance according to Orenco's current published documentation.

Specifications

Model	FLD18XX	FLD24XX	FLD30XX
A. in (mm)	20.2 (514)	25.75 (654)	32.75 (832)
B. in (mm)	1.5 (38)	1.5 (38)	1.5 (38)
C. in (mm)	17.5 (445)	23.25 (591)	29.25 (743)
Gasket width, in (mm)	0.75 (19)	0.69 (18)	0.69 (18)
Bolt hole diameter, in (mm)	0.3125 (8)	0.3125 (8)	0.3125 (8)
Weight, lbs (kg)	7 (3)	11 (5)	20 (9)
Bolt holes, per lid	4	4	4

