

PVP-Series Biotube® Pump Vault

Installation Instructions

Step 1. Gather Equipment and Supplies

Step 1a: Measure the diameter of the tank opening. If using a 30in diameter (750mm) riser with an access opening larger than 19in (483mm), order a PVP-Series Biotube Pump Vault Adapter Extension Kit, Orenco product code PVP-AEK, and obtain a wrench for the supplied nuts.

Step 1b: Measure from the top of the tank to the rim of the riser. For best access, the filter cartridge handle should extend to within 6in (152mm) of the access riser lid. If the extension handle will be needed, note the length, and obtain a pipe cutting tool and PVC cement.

Step 2. Remove the Biotube Cartridge

Step 2a: Grasp the cartridge handle assembly.

Step 2b: Remove the cartridge from the pump vault.

Step 3. Install Adapter Bracket, if Necessary

Step 3a: Position one of the provided plates under one flange of the PVP vault.

Step 3b: Insert the provided bolts through the pre-drilled holes of the flange and the plate.

Step 3c: Secure the bolts with the provided nuts.

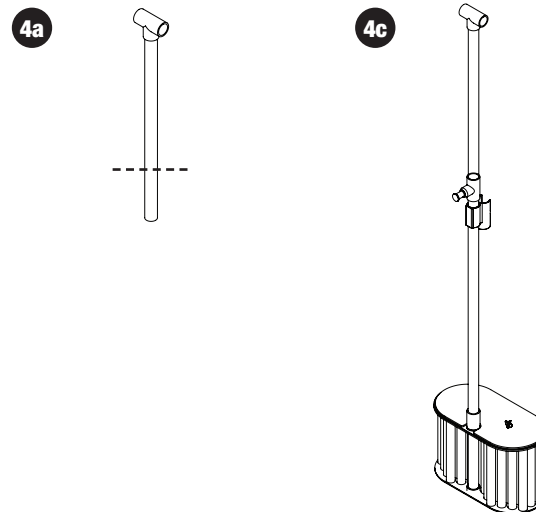
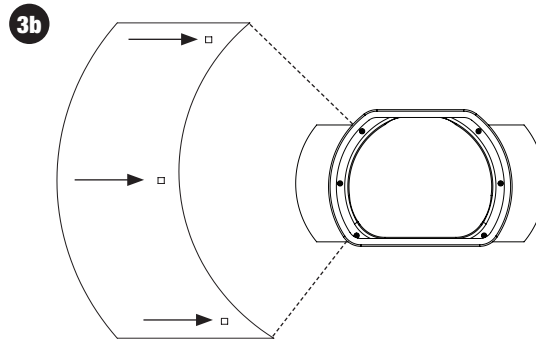
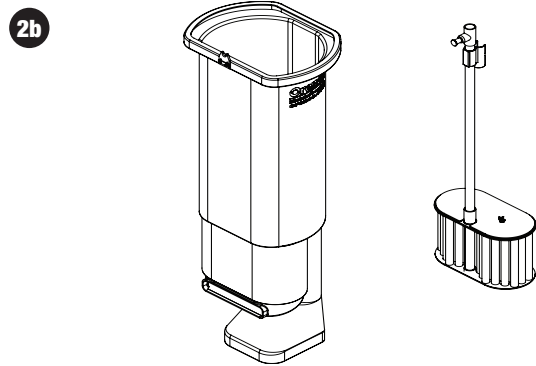
Step 3d: Repeat this step for the other flange.

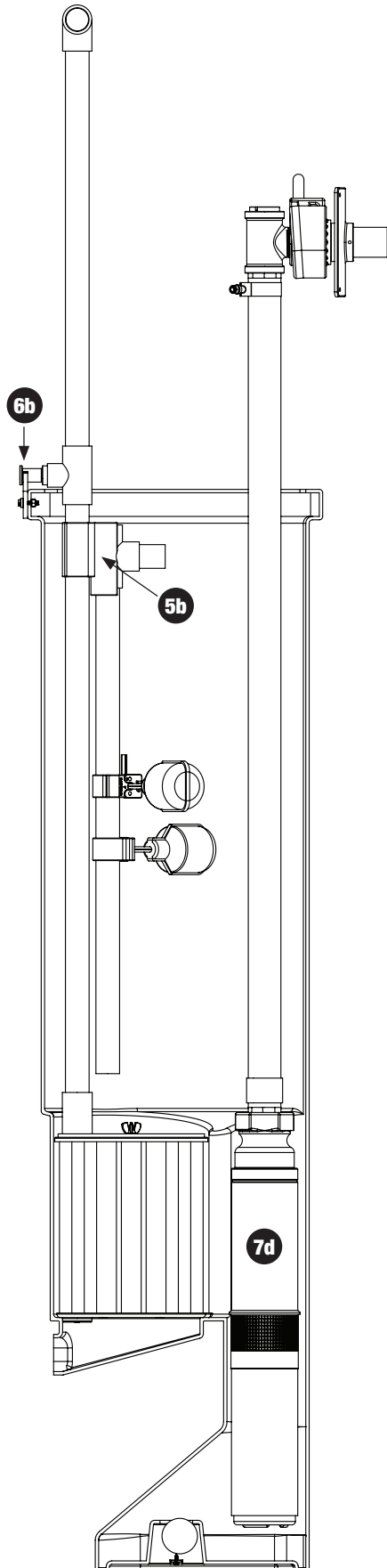
Step 4. Extend Handle, if Necessary

Step 4a: If the extension is necessary, as determined in Step 1b, make sure that it is not so long as to interfere with the lid attachment on the riser. Trim the extension if necessary.

Step 4b: Use PVC cement to glue the extension into the cartridge handle's tee.

Step 4c: Let the cement dry completely.





Step 5. Attach Float Switch Tree Assembly

Step 5a: Make sure that the floats have already been set to the correct positions. Refer to *Float Switch Settings and Adjustments* (NIN-MF-DA-1).

Step 5b: Install the float switch tree stem into the float switch tree bracket located just under the cartridge handle tee.

Step 6. Install the Cartridge with Attached Tree

Step 6a: Install the filter cartridge with the attached float switch tree assembly into the PVP vault.

Step 6b: Lock the cartridge into the locking tab.

Step 6c: Verify that the cartridge is fully seated in the bottom of the vault when locked into the locking tab on the vault.

Step 7. Complete Installation

Step 7a: Carefully lower the PVP vault into the tank opening.

Step 7b: Verify that the floats are still in the correct positions. Refer to *Float Switch Settings and Adjustments* (NIN-MF-DA-1).

Step 7c: Verify that the top of the float switch tree is level with the top of the tank when the vault flanges are resting on the tank's top.

Step 7d: Install the pump and discharge assembly or assemblies into the flow inducer side of the vault.