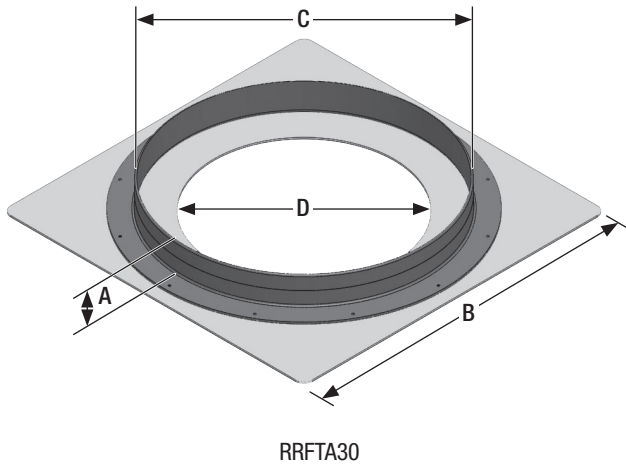


# RRFTA30 Tank Adapters

## Applications

Orenco RRFTA30 Tank Adapters are designed to provide a structural, watertight method of attaching access risers over tank openings in concrete tanks that don't have cast-in adapters.



## General

RRFTA30 tank adapters are designed to provide watertight connections between PVC risers or Orenco's fiberglass access risers and concrete tanks.

The RRFTA30 uses the PRTA30BDKIT bolt-down kit (ordered separately) to attach the adapter to a concrete tank. The kit includes stainless steel concrete anchor bolts and butyl sealant tape.

## Standard Model

RRFTA30

## Materials of Construction

Tank adapter base	Fiber-reinforced polymer (FRP)
Riser adapter flange	ABS
Anchor bolts (in bolt-down kit)	Stainless steel
Sealant tape (in bolt-down kit)	Butyl

## Specifications

Dimensions, in (mm)	
<b>A</b> Vertical flange height	3.25 (83)
<b>B</b> Length/width	36.5 (927)
<b>C</b> Vertical flange outside diameter	29.25 (743)
<b>D</b> Opening diameter	22 (559)
Maximum tank opening size	30 (762) (round or square opening)