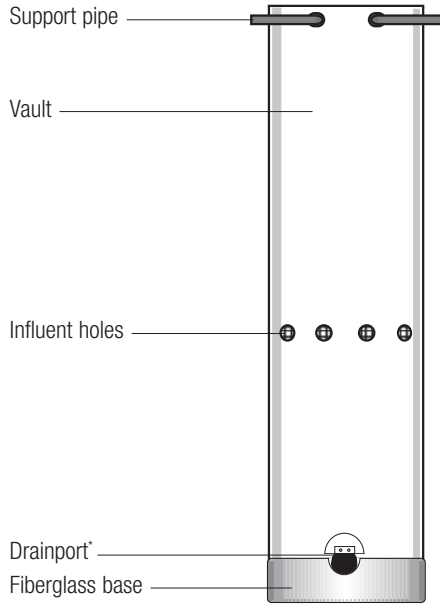


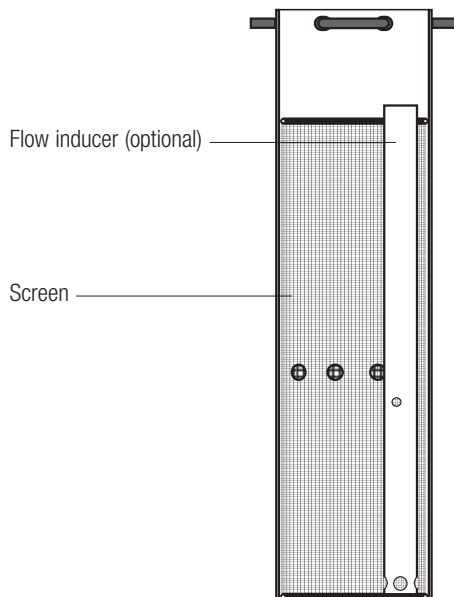
Screened Vaults

Applications

Orenco Screened Vaults are used to screen effluent being pumped from septic tanks in STEP systems and in on-site wastewater disposal systems.



Side View



Cutaway View

*Screened Vaults that are taller than 60 inches (1524 mm) and have inlet holes higher than 12 inches (305 mm) from the bottom are equipped with two drainports.

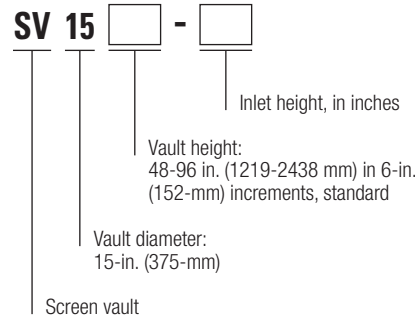
General

Orenco Screened Vaults are composed of a rigid cylindrical vault with a fiberglass base, a polyethylene screen and two support pipes. Effluent enters through eight influent holes around the perimeter of the vault and flows through the screen to the effluent pump. Orenco Screened Vaults are covered by US patent #4439323.

Standard Models

SV1548-16, SV1548FI-16, SV1554-22, SV1554FI-22, SV1560-28, SV1560FI-28, SV1560FIFI-18

Product Code Diagram

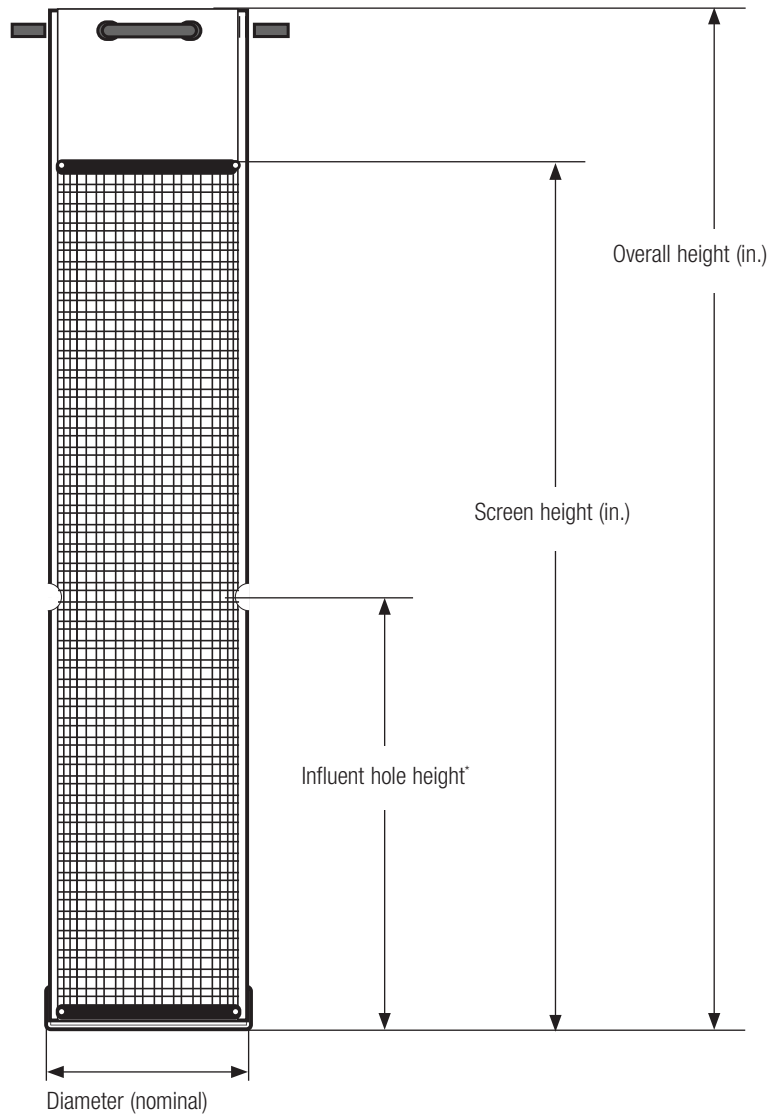


Materials of Construction

Vault	PVC irrigation pipe per SCS 432E
Screen top	Blue low-viscosity polyurethane
Screen body	Black medium-density polyethylene with a UV stabilizer
Fiberglass base	Injection molded fiberglass
Resin	UV stabilized chemical resistant polymer
Fiberglass:	Continuous strand E-glass mat
Support Pipe:	PVC per sch. 80 specification

Specifications

The screen mesh contains holes 1/8-inch (3-mm) square and has a nominal open area of 50%. Flow inducers are required in screened vaults when using high head turbine pumps. A flow inducer consists of a section of 4-inch (100-mm) PVC pipe with four 1 3/8-inch (35-mm) holes drilled around the perimeter at the base and two 1/2-inch (13-mm) orifices drilled near the center of the flow inducer. When pumping from a single compartment septic tank the discharge rate should not exceed 30 gpm (1.9 L/sec). Higher flow rates require a multiple tank arrangement, typically with an effluent filter in the primary tank.



Dimensions

Model	SV1548-16	SV1554-22	SV1560-28
Diameter, nominal, in. (mm)	15 (375)	15 (375)	15 (375)
Overall height, in. (mm)	48 (1219)	54 (1372)	60 (1524)
Mesh screen height, in. (mm)	39 (990)	45 (1143)	51 (1295)
Influent hole height*, in. (mm)	16 (406)	22 (559)	28 (711)

* Influent hole height may vary depending upon the configuration of the tank. Optimum hole height is at 70% of the minimum liquid level for single compartment tanks.