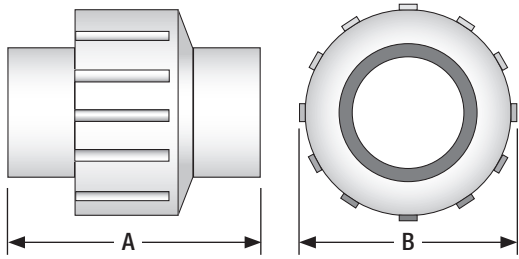


Unions and Valves for Orenco Products



U [] []

Fitting type:
S = slip
T = threaded

Pipe diameter, IPS:
0500 = 1/2in
1000 = 1in
1250 = 1 1/4in
1500 = 1 1/2in
2000 = 2in

Union

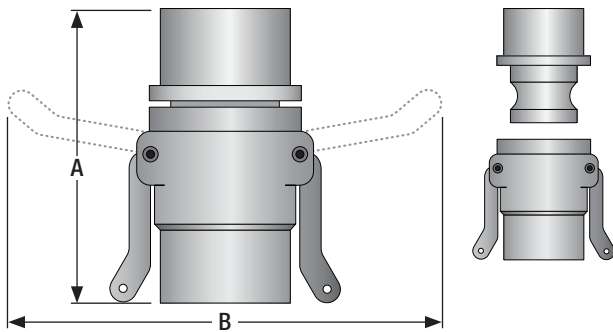
Not all product code configurations may be available as standard products.

PVC Unions, Schedule 80 (U)

PVC unions are used as a disconnection point in piping assemblies. These unions are made of Schedule 80 PVC, with ethylene propylene diene monomer (EPDM) O-rings. Products with slip fittings are denoted below by an "S;" threaded fittings are denoted below by a "T."

Specifications

Product code	IPS pipe diameter, in	A, in (mm)	B, in (mm)	psi @ 73°F (bar @ 23°C)
U0500S	1/2	2.09 (53)	1.91 (49)	150 (10.3)
U1000S	1	2.67 (68)	2.62 (67)	150 (10.3)
U1000T	1	2.67 (68)	2.9 (74)	150 (10.3)
U1250S	1 1/4	2.87 (73)	3.2 (81)	150 (10.3)
U1250T	1 1/4	2.87 (73)	3.2 (81)	150 (10.3)
U1500S	1 1/2	3.25 (83)	3.59 (91)	235 (16.2)
U1500T	1 1/2	2.81 (71)	3.59 (91)	235 (16.2)
U2000S	2	3.47 (88)	4.31 (109)	235 (16.2)



Q [] **S**

Slip-type fitting

Pipe diameter, IPS:
1000 = 1in
1250 = 1 1/4in
1500 = 1 1/2in
2000 = 2in

Union, quick-disconnect

PVC Unions, Quick-Disconnect (Q)

PVC quick-disconnect unions are used as a fast, non-binding disconnection point in piping assemblies. This product is only available with slip fittings.

Specifications

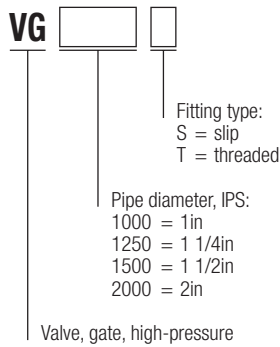
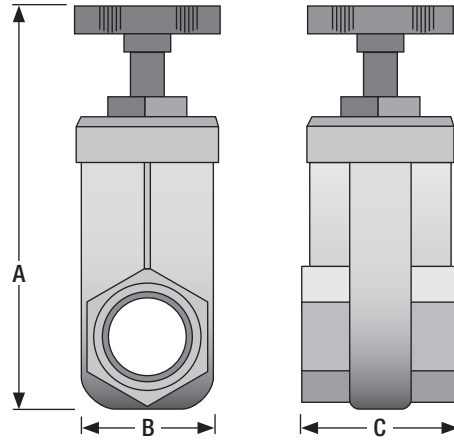
Product code	IPS pipe diameter, in	A, in (mm)	B, in (mm)	psi @ 72°F (bar @ 22°C)
Q1000S	1	4.50 (114)	4.50 (114)	105 (7.2)
Q1250S	1 1/4	4.75 (121)	7.00 (178)	105 (7.2)
Q1500S	1 1/2	5.00 (127)	7.50 (191)	105 (7.2)
Q2000S	2	5.25 (133)	8.00 (203)	105 (7.2)

PVC Gate Valves, High-Pressure (VG)

PVC high-pressure gate valves have a non-rising stem and a screw-in, faucet-type handle. They are approved for use in controlling flows and where throttling capabilities are desired. These valves are constructed of Schedule 40 Hi-Impact PVC Type I per ASTM D-1784, with polypropylene paddles. Products with slip fittings are denoted below by an "S;" threaded fittings are denoted below by a "T."

Specifications

Product code	IPS pipe diameter, in	A, in (mm)	B, in (mm)	C, in (mm)	psi @ 73°F (bar @ 23°C)
VG1000S	1	5.41 (137)	2.94 (75)	3.25 (83)	200 (13.8)
VG1250S	1 1/4	8.06 (205)	3.94 (100)	3.56 (90)	200 (13.8)
VG1250T	1 1/4	8.06 (205)	3.94 (100)	3.56 (90)	200 (13.8)
VG1500S	1 1/2	8.06 (205)	3.94 (100)	3.75 (95)	200 (13.8)
VG1500T	1 1/2	8.06 (205)	3.94 (100)	3.75 (95)	200 (13.8)
VG2000S	2	8.56 (217)	4.43 (113)	3.93 (100)	200 (13.8)
VG2000T	2	8.56 (217)	4.43 (113)	3.93 (100)	200 (13.8)



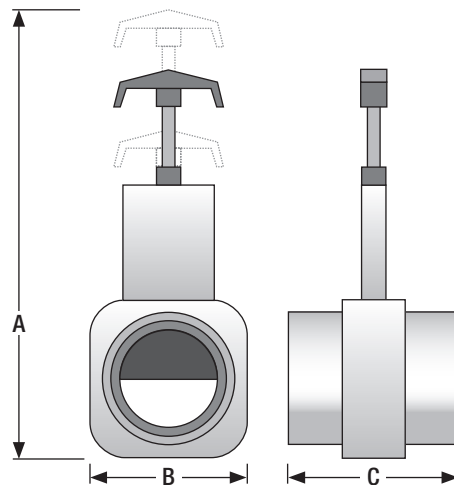
Not all product code configurations may be available as standard products.

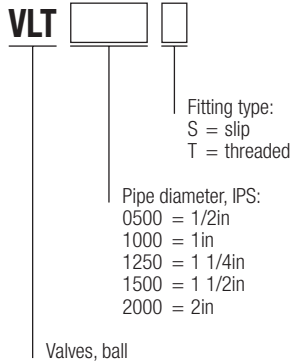
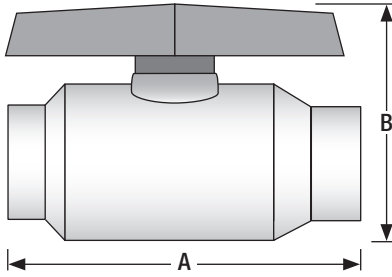
PVC Gate Valves, Low-Pressure (V)

PVC sliding gate valves are used as an inexpensive valve for quick shutoff. They are constructed of a PVC body per ASTM D-1784, with a stainless steel paddle and shaft and thermoplastic elastomer (TPE) seals. This product is only available with slip fittings.

Specifications

Product code	IPS pipe diameter, in	A, in (mm)	B, in (mm)	C, in (mm)	psi @ 73°F (bar @ 23°C)
V6401	4	18 (457)	6.6 (168)	5.2 (132)	15 (1)





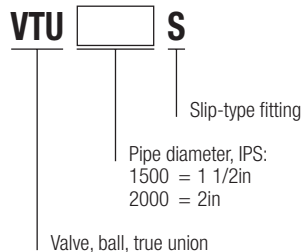
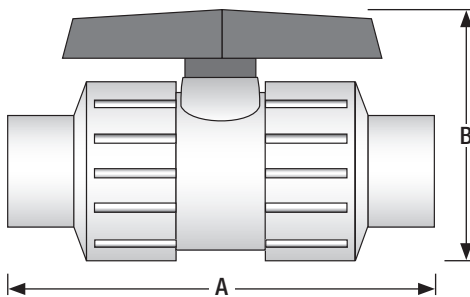
Not all product code configurations may be available as standard products.

PVC Ball Valves (VLT)

PVC ball valves are used for shutting off flow to a distribution line. They are constructed of Schedule 40 PVC Type I per ASTM D-1784, with EPDM O-rings. The stem seal is pre-loaded for long life. Products with slip fittings are denoted below by an "S," threaded fittings are denoted below by a "T."

Specifications

Product code	IPS pipe diameter, in	A, in (mm)	B, in (mm)	psi @ 73°F (bar @ 23°C)
VLT0500S	1/2	2.63 (66)	2.28 (57)	150 (10.3)
VLT1000S	1	3.44 (87)	3.19 (81)	150 (10.3)
VLT1000T	1	3.44 (87)	3.19 (81)	150 (10.3)
VLT1250S	1 1/4	3.88 (98)	4 (101)	150 (10.3)
VLT1250T	1 1/4	3.88 (98)	4 (101)	150 (10.3)
VLT1500S	1 1/2	4.69 (119)	4.5 (114)	150 (10.3)
VLT1500T	1 1/2	4.69 (119)	4.5 (114)	150 (10.3)
VLT2000S	2	5.13 (130)	5.38 (136)	150 (10.3)
VLT2000T	2	5.13 (130)	5.38 (136)	150 (10.3)



PVC True Union Ball Valves (VTU)

True union ball valves combine the features of a PVC union and ball valve into one component. They are constructed of Schedule 80 PVC Type I per ASTM D-1784, with EPDM O-rings. This product is only available with slip fittings.

Specifications

Product code	IPS pipe diameter, in	A, in (mm)	B, in (mm)	psi @ 73°F (bar @ 23°C)
VTU1500S	1 1/2	6.31 (160)	4.84 (123)	235 (16.2)
VTU2000S	2	7.82 (199)	5.9 (150)	235 (16.2)

PVC Check Valves (KSC)

PVC check valves prevent backflow in a system, providing minimal resistance to normal flow but only requiring 0.5psi back pressure for complete closure. Check valves are made from Schedule 40 Type I PVC per ASTM D-1784, with an EPDM swing gate. This product is only available with slip fittings.

Specifications

Product code	IPS pipe diameter, in	A, in (mm)	B, in (mm)	psi @ 73°F (bar @ 23°C)
KSC1000S	1	4.69 (119)	2.63 (66)	150 (10.3)
KSC1250S	1 1/4	5.50 (139)	3.38 (85)	150 (10.3)
KSC1500S	1 1/2	5.63 (143)	3.38 (85)	150 (10.3)
KSC2000S	2	6.14 (156)	4.23 (107)	150 (10.3)

