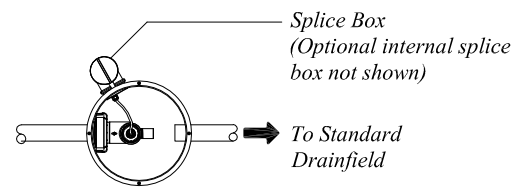
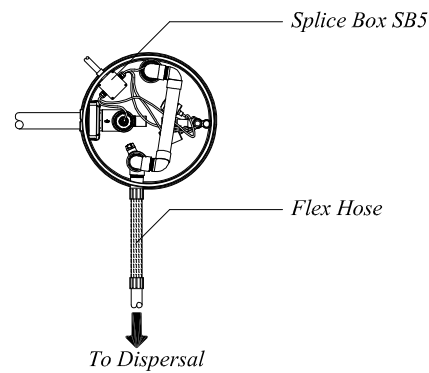


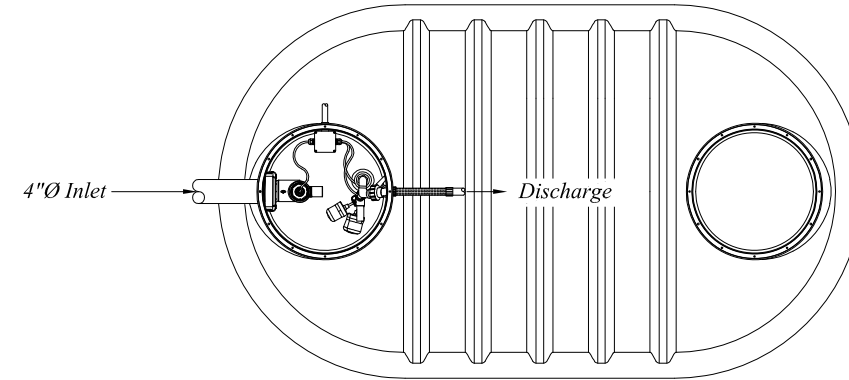
AdvanTex® AX20 with UV Disinfection Discharge Options (Example)



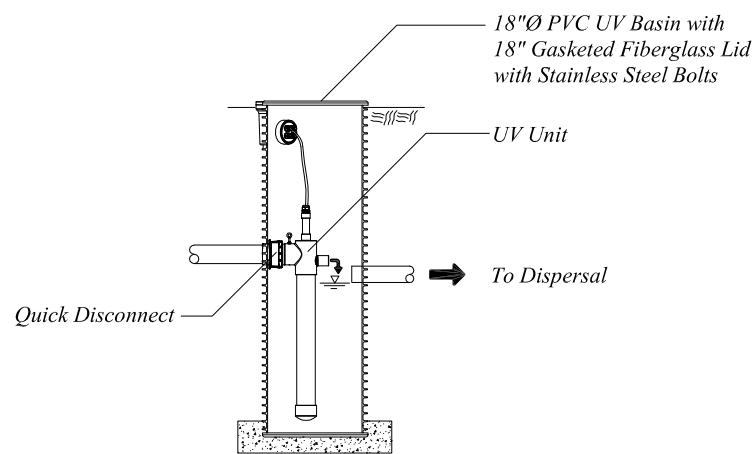
UV Basin Gravity Discharge Option
Top View



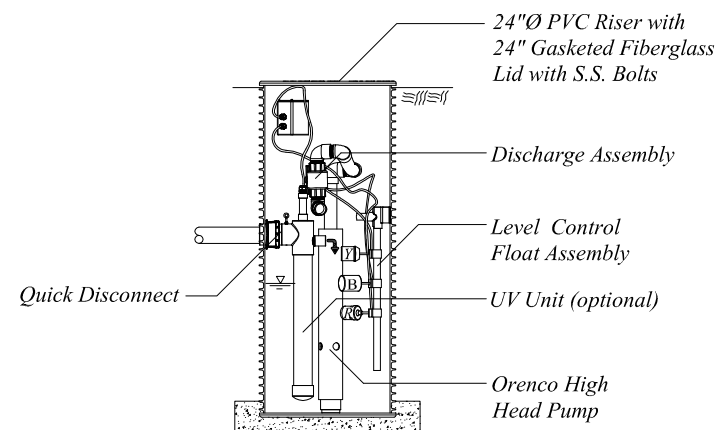
UV Basin Pump Discharge Option
Top View



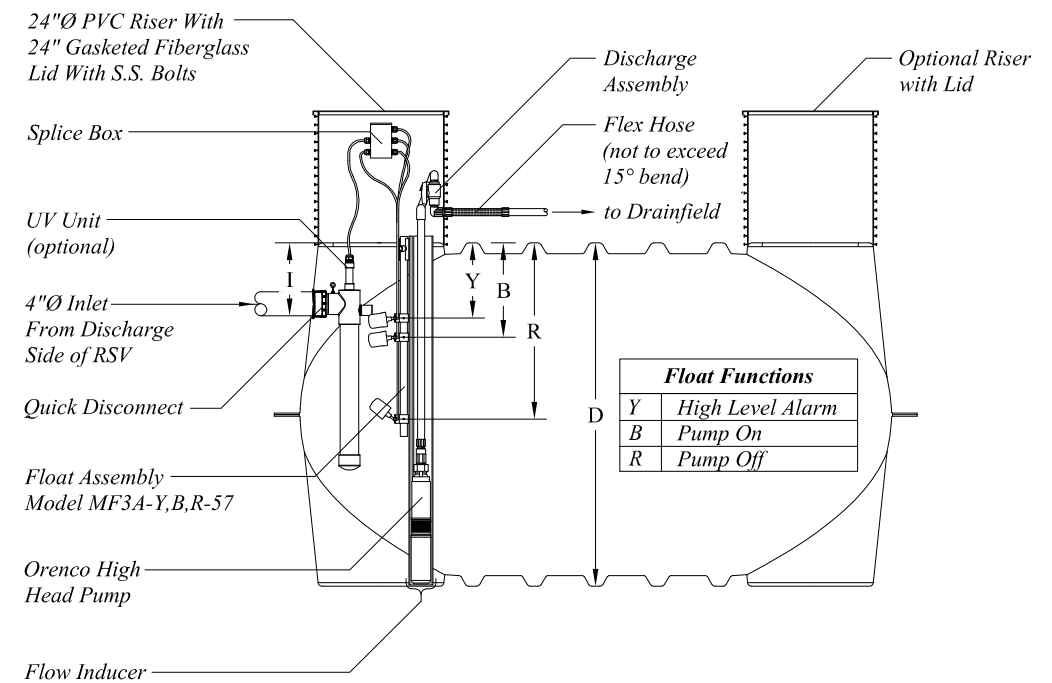
Discharge Tank Option
Top View



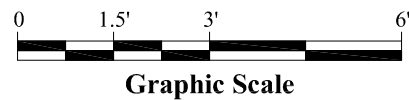
UV Basin Gravity Discharge Option
Side View



UV Basin Pump Discharge Option
Side View



Discharge Tank Option
Side View



Graphic Scale

Copyright © 2012
Orengo Systems®, Inc.

UNAUTHORIZED CHANGES & USES
Orengo has prepared these drawings for use by the design engineer. Orengo will not be responsible or liable for unauthorized changes to or uses of these drawings. All changes to these drawings must be made in writing and must be approved by the design engineer.

PRODUCT CONFIGURATION DRAWINGS



Drawn By: BEN SMITH
Drawn For:

Project: AX20 UV Discharge Options

Title: NDW-ATX-PA-13

Scale: AS SHOWN

Sheet: 1 OF 1

Rev: A-03 Date: 6/11/2012