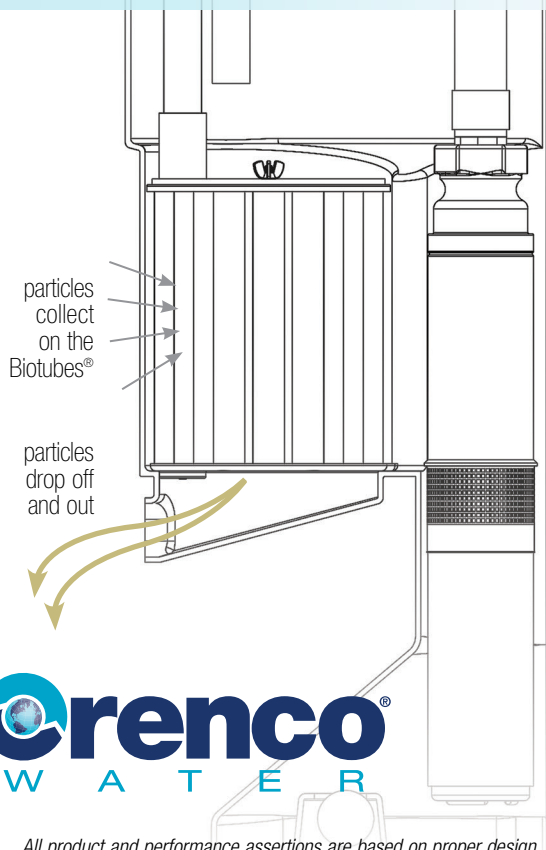


# Experience Has Taught Us It's All in the Flow ...

## Orenco® PVP Pump Vault

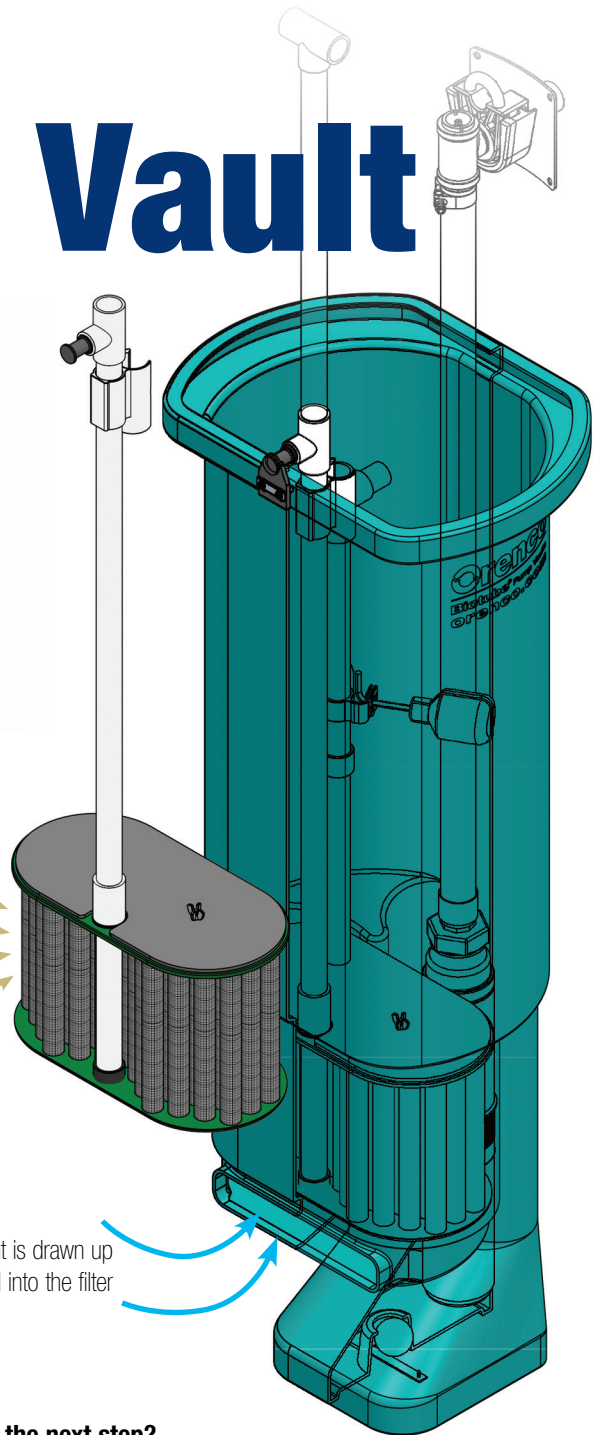
### This new design ...

- Reduces cleaning frequency with a new flow path
- Works well in high-flow applications
- Provides more room for floats to flow up and down, reducing hang-ups
- Works great in low-profile and typically sized tanks; adapter kit available for tank openings larger than 19 inches



particles collect on the Biotubes and then drop out

effluent is drawn up and into the filter



### Ready to take the next step?

To find out more about PVP Pump Vaults, contact your account rep or Orenco: +1 (541) 459-4449, [info@orenco.com](mailto:info@orenco.com), or [www.orenco.com](http://www.orenco.com).

All product and performance assertions are based on proper design, installation, operation, and maintenance according to Orenco's current published documentation.