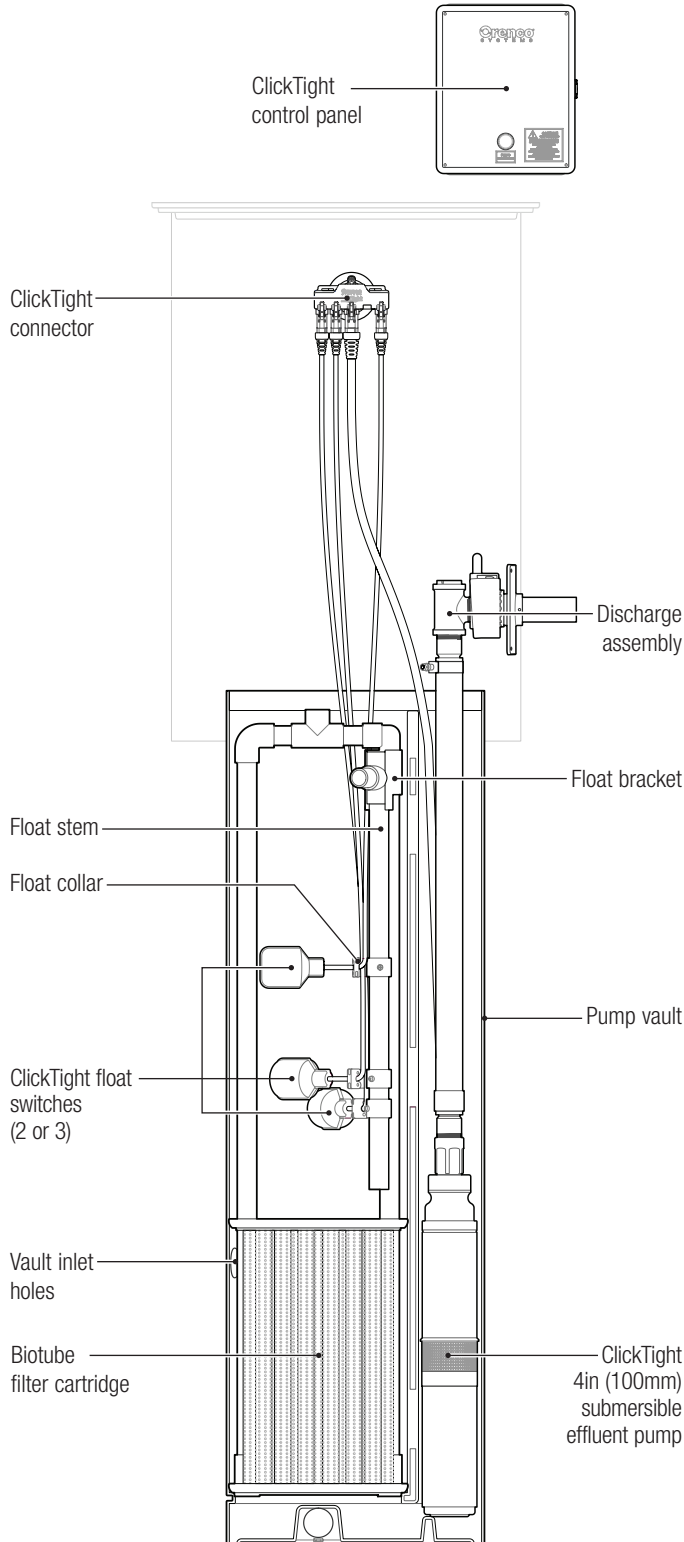


Biotube[®] 60Hz LOS Pump Package[™]

With ClickTight[™] Controls



Biotube LOS Pump Package with ClickTight Controls

Applications

The Biotube LOS Pump Package with ClickTight Controls is designed to filter and pump effluent from a one- or two-compartment septic tank to a liquid-only sewer (aka "pressure sewer") system.

General

Orenco's Biotube LOS Pump Package with ClickTight Controls makes it simple to select and install the correct pump and controls package. Its patented Biotube pump vault technology eliminates the need for a separate septic tank and pump tank. The pump vault also allows removal of the effluent filter for cleaning with no need to remove the pump vault or pump, which simplifies servicing.

Orenco's integrated ClickTight Controls connect a pump, up to four floats, and a control panel without the use of splice boxes, field-spliced wires, or watertight wire nuts. It also eliminates the need for conduit sealing. The Orenco ClickTight connector is UL-listed for the US and Canada.

For more information on specific LOS components, see the following Orenco technical documents:

- *ClickTight Controls Package* (NTD-CLK-2)
- *HDA Discharge Assemblies* (NTD-HDA-1)
- *Discharge Assemblies* (NTD-HV-HV-1)
- *PF-Series Submersible Effluent Pumps: 1-Phase, 60-Hz, 4-inch (100-mm)* (NTD-PU-PF-1)
- *Universal Biotube Pump Vaults* (NTD-PVU-1)
- *PVP-Series Biotube Pump Vaults* (NTD-PVU-3)
- *PV-Series Biotube Pump Vaults* (NTD-PVU-2)

Product Code Diagrams

Standard Product Code:

LOSCLK - - - - - - -

Discharge assembly; details:

- HD1 = HDA24125FCASLC-FS; field-set, 1.25in hose, flow control, P01 (PF100511CV) pump only
- HD2 = HDA24125ASLC-FS; field-set, 1.25in hose, P01 (PF100511CV) pump only
- HD3 = HDA24125FCASLC-FS; field-set, 1.25in hose, check valve, flow control, 10gpm pumps only
- HD4 = HDA24125CASLC-FS; field-set, 1.25in hose, check valve, 10, 20, or 30gpm pumps
- SD1 = HV100BCFCX; field-cut, 1in PVC, ball valve, check valve, flow control, 10gpm pumps only
- SD2 = HV100BCX; field-cut, 1in PVC, ball valve, check valve, 10 or 20gpm pumps
- CW1 = HV100BCFCX + HVCW100-KIT; field-set, 1in PVC, ball valve, check valve, flow control, 10gpm pumps only
- CW2 = HV100BCX + HVCW100-KIT; field-set, 1in PVC, ball valve, check valve, 10 or 20gpm pumps
- DB1 = HV100B-DB; field-set, ball valve, drainback, 10 or 20gpm pumps

Pump vault height, in (mm), for 18in (450mm) diameter filter:

- 48 = 48 (1219) PVU-Series 60 = 60 (1524) PVP-Series
- 57 = 57 (1448) PVU-Series 55 = 55 (1397) PV-Series
- 68 = 68 (1727) PVU-Series

ClickTight cable length, ft (m):
60 = 62 (19)

Float switch & pump cord lengths, ft (m):
10 = 10 (3)
20 = 20 (6)

Control panel; float switches:

- S11 = S1; 3P
- S12 = S1ETMCT; 3P
- S13 = S1HR; 2P
- S16 = S1RO; 3PN
- S19 = S1ROMTSGR-NC; 3PN

Submersible effluent pump model; details:

- P01 = PF100511CV; 10gpm (0.6L/sec), 0.50hp (0.37kW), 120V, for HD1 and HD2 only
- P02 = PF100511; 10gpm (0.6L/sec), 0.50hp (0.37kW), 120V
- P03 = PF100512; 10gpm (0.6L/sec), 0.50hp (0.37kW), 240V

Biotube® LOS Pump Package™ with ClickTight™ Controls

Project-Specific Product Code:

LOSCLK - -

State or province

Project name

Biotube® LOS Pump Package™ with ClickTight™ Controls