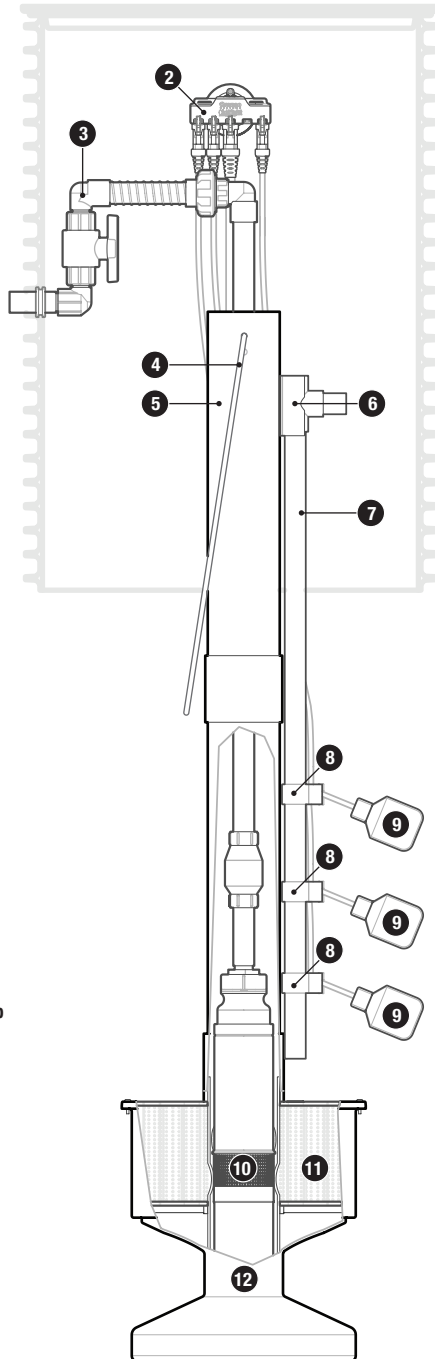


# Biotube® EasyPak™ 60Hz ClickTight™ Pump Packages



1. ClickTight™ control panel
2. ClickTight connector
3. Discharge assembly
4. Lifting strap
5. Flow inducer
6. Float bracket
7. Float stem
8. Float collar
9. ClickTight float switch
10. ClickTight 4in (100mm) submersible effluent pump
11. Filter cartridge
12. Pump vault

Biotube EasyPak with ClickTight Controls (cutaway view)

## Applications

Orenco's Biotube EasyPak Pump Packages with ClickTight Controls are designed to filter and pump effluent from a pump tank to gravity or pressurized dispersal. It is well suited for applications requiring large reserve volumes and for pumping from near the bottom of a tank.

Packages for on-demand dosing or timed dosing at 10, 20, 30, and 50gpm (0.6, 1.3, 1.9, and 3.2L/sec) and 50Hz are available.

## General

Orenco's patented Biotube EasyPak Pump Package with ClickTight Controls makes it simple to select and install the correct pump and controls package for the pump tank\*. The low-profile pump vault is passively self cleaning, to extend maintenance cycle intervals.

Orenco's integrated ClickTight Controls connect a pump, up to four floats, and a control panel without the use of splice boxes, field-spliced wires, or watertight wire nuts. It also eliminates the need for conduit sealing. Orenco's ClickTight connector is UL listed for the US and Canada, and it is IP 67 rated.

This document provides detailed information on the EasyPak pump vault and effluent filter cartridge. For more information on other EasyPak and ClickTight Controls components, see the following Orenco technical data sheets:

- [ClickTight Controls Package, NTD-CLK-2](#)
- [Discharge Assemblies, NTD-HV-HV-1](#)
- [Orenco PF-Series 60Hz, 1-Phase Pumps, NTD-PU-PF-1](#)
- [Orenco PVA-Series Pumps, NTD-PU-PVA-1](#)

## Materials of Construction

Filter end plates	Polyurethane
Filter tubes	Polyurethane
Flow inducer	PVC
Handles	PVC
Lifting strap	Hollow-braided polypropylene
Vault body	Polyethylene

\*US Patents #4,439,323 and #5,492,635 (additional US and international patents pending)

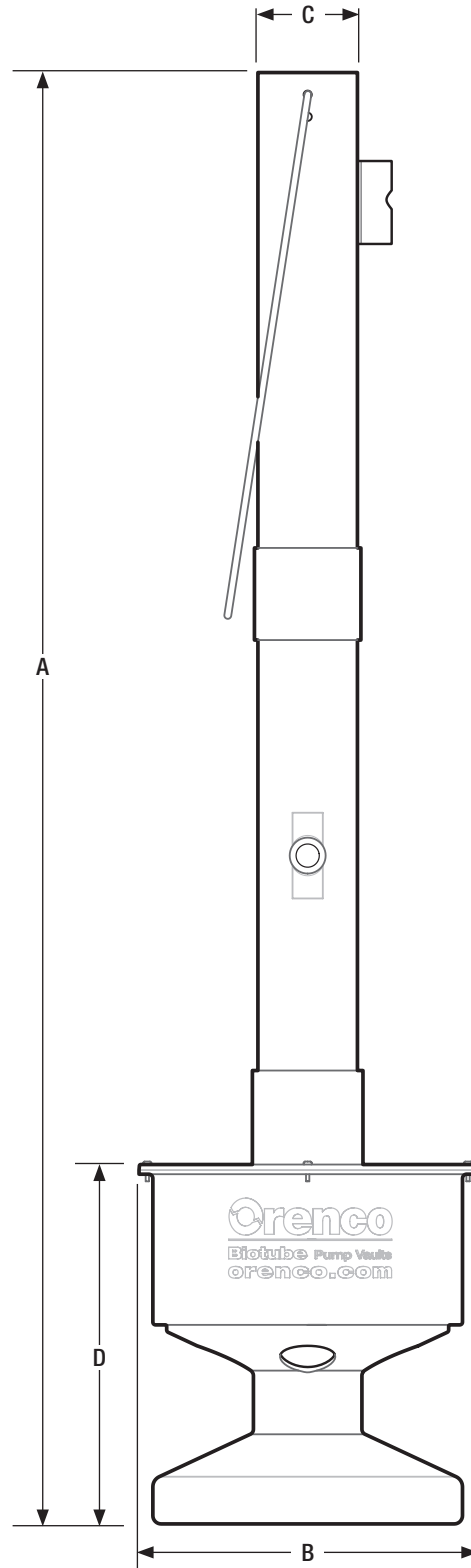
### Specifications

#### Dimensions, in (mm)

<b>A</b>	Overall height	61 (1549)
<b>B</b>	Overall diameter	15.25 (387)
<b>C</b>	Flow inducer diameter, nominal	4 (100)
<b>D</b>	Vault height	15 (381)
	Filter cartridge height	7 (178)
	Filter cartridge width	10.3 (262)

#### Performance

Biotube mesh opening, in (mm)	0.125 (3)
Total filter flow area, ft <sup>2</sup> (m <sup>2</sup> )	3.16 (0.29)
Total filter surface area, ft <sup>2</sup> (m <sup>2</sup> )	10.53 (0.98)



**Product Code Diagram**

**BEPCLK** -  -  -  -  -

Discharge assembly details:  
 SD1 = HV100BCFCX; field-cut, 1in PVC, ball valve, check valve, flow control, 10gpm (0.6L/sec) pumps only  
 SD2 = HV100BCX; field-cut, 1in PVC, ball valve, check valve, 10 or 20gpm (0.6 or 1.3L/sec) pumps  
 SD3 = HV125BCX; field-cut, 1.25in PVC, ball valve, check valve, 30gpm (1.9L/sec) pumps  
 SD4 = HV200BCX; field-cut, 2in PVC, ball valve, check valve, 50gpm (3.2L/sec) pumps  
 CW1 = HV100BCFCX + HVCW100-KIT; field-cut, 1in PVC, ball valve, check valve, flow control, 10gpm (0.6L/sec) pumps only  
 CW2 = HV100BCX + HVCW100-KIT; field-cut, 1in PVC, ball valve, check valve, 10 or 20gpm (0.6 or 1.3L/sec) pumps  
 CW3 = HV125BCX + HVCW125-KIT; field-cut, 1.25in PVC, ball valve, check valve, 30gpm (1.9L/sec) pumps  
 CW4 = HV200BCX + HVCW200-KIT; field-cut, 2in PVC, ball valve, check valve, 50gpm (3.2L/sec) pumps  
 DB1 = HV100B-DB; field-cut, 1in PVC, ball valve, drainback, 10 or 20gpm (0.6 or 1.3L/sec) pumps  
 DB2 = HV125B-DB; field-cut, 1.25in PVC, ball valve, drainback, 30gpm (1.9L/sec) pumps  
 DB3 = HV200B-DB; field-cut, 2in PVC, ball valve, drainback, 50gpm (3.2L/sec) pumps

ClickTight cable length, ft (m):  
 60 = 62 (19)

Float switch & pump cord lengths, ft (m):  
 10 = 10 (3)  
 20 = 20 (6)

Control panel; float switches:  
 S11 = S1; 3P                      M11 = MVP-S1DM; 3P  
 S12 = S1ETMCT; 3P              M12 = MVP-S1DMHT; 3P  
 S13 = S1HR; 2P                    M13 = MVP-S1DMHTSA; 3P  
 S14 = S1PTRO; 2BN                M14 = MVP-S1DMHTMTSGR-NC; 3P  
 S15 = S1PTROETMCT; 2BN        M15 = MVP-S1DM(DEMAND); 3P  
 S16 = S1RO; 3PN                    M21 = MVP-S2DM; 3P  
 S17 = S1ROETMCT; 3PN            M22 = MVP-S2DMHT; 3P  
 S18 = S1ROETMCTSA; 3PN        M23 = MVP-S2DMHTSA; 3P  
 S19 = S1ROMTSGR-NC; 3PN

Submersible effluent pump:  
 P08 = PF200511; 20gpm (1.3L/sec), 1/2hp (0.37kW), 120V  
 P90 = PVA100511; 10gpm (0.6L/sec), 1/2hp (0.37kW), 120V  
 P91 = PVA300511; 30gpm (1.9L/sec), 1/2hp (0.37kW), 120V  
 P92 = PVA500511; 50gpm (3.2L/sec), 1/2hp (0.37kW), 120V

Biotube® EasyPak™ with ClickTight™ Controls