

Prelos™ 1000 Gravity Processor

Applications

Orenco's Prelos 1000 Gravity Processors provide complete, integrated storage, filtration, and discharge of wastewater for on-lot portions of Prelos Sewer™ systems and other pressurized, liquid-only sewers or dispersal systems where gravity discharge is possible.

General

Prelos Processors™ are the core of the Prelos Sewer system: an innovative technology based on 40 years of proven sewer solutions.

The Prelos 1000 Gravity Processor's tank* stores and passively treats solid waste, while the PSC-series Biotube® effluent filter separates solids from liquid effluent before the effluent flows by gravity to a liquid-only sewer line. The 30in (750mm) diameter access riser provides easy access to the tank interior, and the filter's passively self-cleaning design extends maintenance cycle intervals.

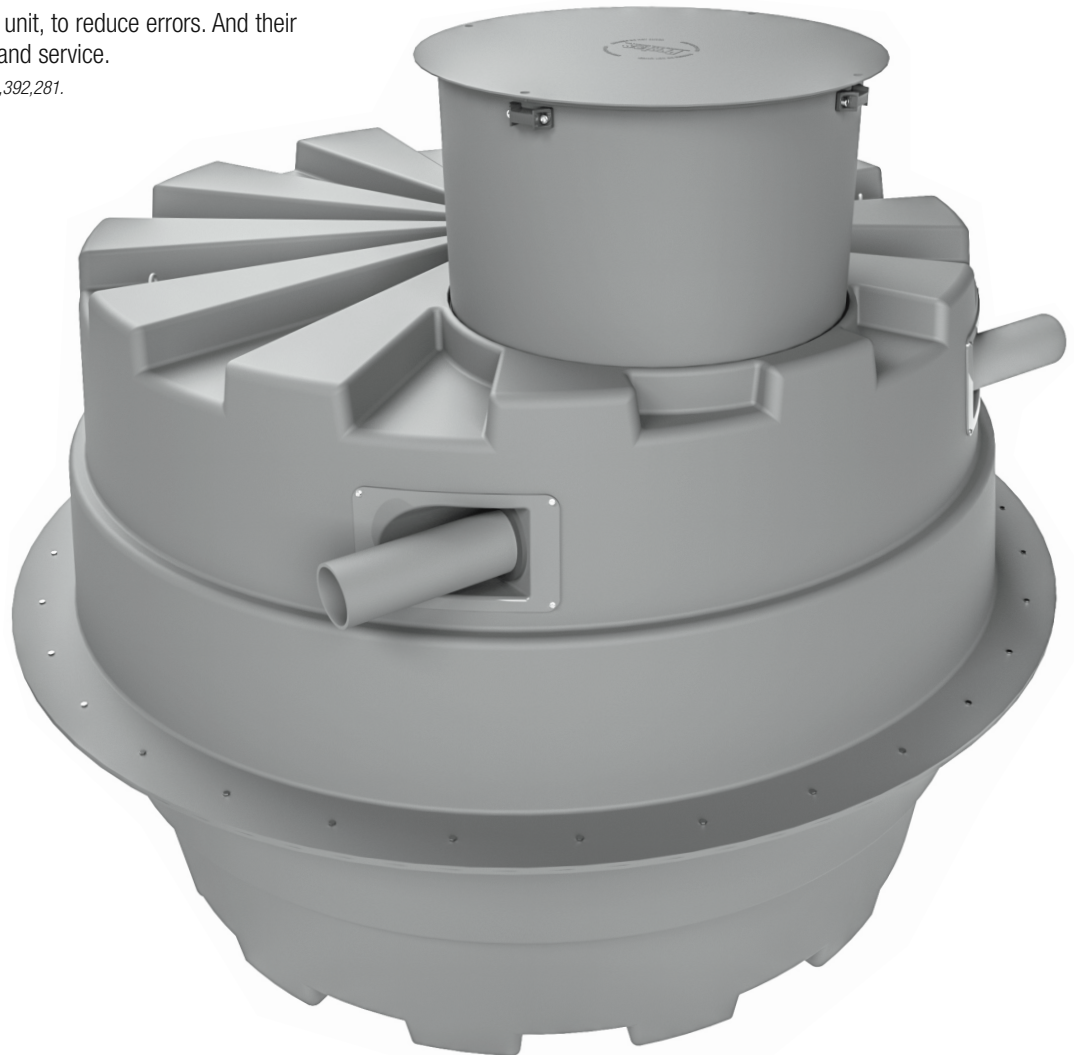
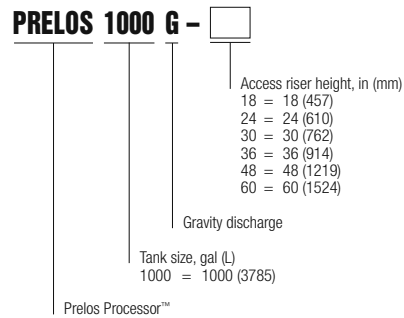
All Prelos Processors install as a unit, to reduce errors. And their components are easy to access and service.

* Tank covered under United States Patent #10,392,281.

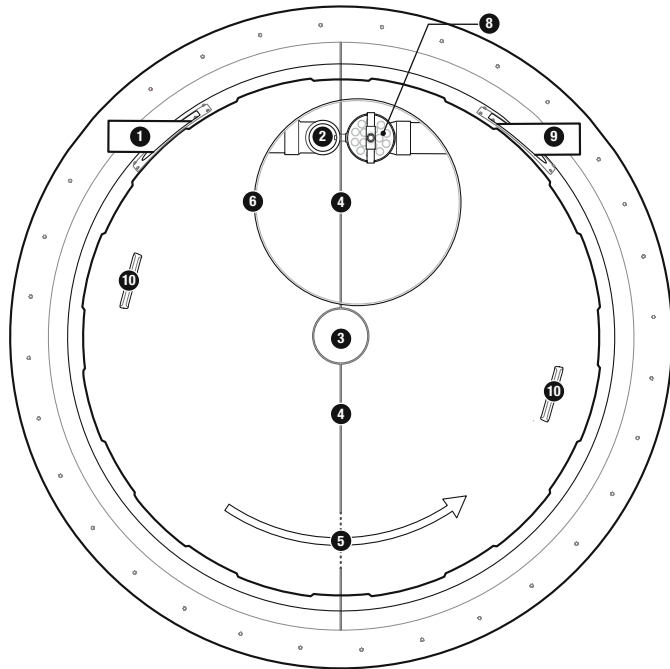
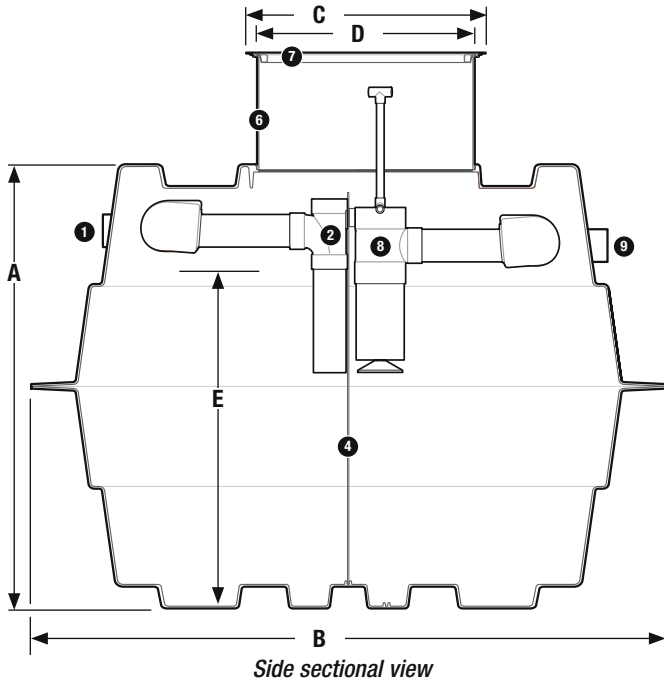
Standard Models

PRELOS1000G-18, PRELOS1000G-24, PRELOS1000G-30, PRELOS1000G-36, PRELOS1000G-48, PRELOS1000G-60

Product Code Diagram



Prelos 1000 Gravity Processors offer complete, integrated storage and filtration of wastewater in a simple, effective package.



- | | |
|-----------------------------|--------------------|
| 1 Inlet | 6 Access riser |
| 2 Inlet tee | 7 Access lid |
| 3 Support column | 8 Biotube filter |
| 4 Baffle wall (full-length) | 9 Outlet |
| 5 Baffle pass-through | 10 Lifting bracket |

Tank, Riser, and Lid

The Prelos 1000 Processor's meander-style tank has a patented design for superior performance. It's tough, impact-resistant, and light enough to install with small equipment. The single access riser and access lid are designed to provide strong, secure access to components inside of the Prelos 1000 Gravity Processor.

Materials of Construction

Access lid	Fiberglass, structural foam
Access lid hardware	Stainless steel
Access riser	Fiberglass
Baffle wall	ABS
Inlet and inlet tee	Fiberglass, ABS
Outlet	Fiberglass, ABS
Support column	PVC, ABS
Tank body	DCPD

Dimensions

A. Tank height, in (mm)	61 (1549)
B. Tank outside diameter, in (mm)	96 (2438)
C. Lid outside diameter, in (mm)	33 (838)
D. Riser inside diameter, in (mm)	29.5 (749)
E. Depth, nominal operating volume, in (mm)	48 (1219)
Tank nominal operating volume, gal (L)	1000 (3785)
Tank total volume, gal (L)	1220 (4618)
Average volume at operating depth, gal/in (L/mm)	20 (3)
Prelos Processor weight, nom, lbs (kg)	550-640 (250-290)

PSC-Series Biotube Effluent Filter

The PSC-series Biotube effluent filter used in the Prelos 1000 Gravity Processor is designed for effective filtration of solids from liquid effluent, before the effluent is transported to a liquid-only sewer, other collection system, or dispersal. The passively self-cleaning design extends maintenance cycle intervals.

Materials of Construction

Housing	PVC, ABS
Filter tubes	Polypropylene
Handle assembly	Sch. 40 PVC
Screws	Stainless steel

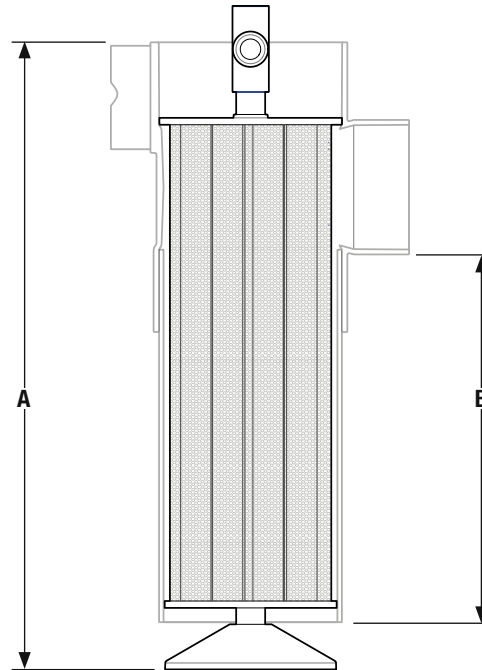
Dimensions

A. Overall height, in (mm)	22.7 (577)
B. Height to invert, in (mm)	13.5 (343)

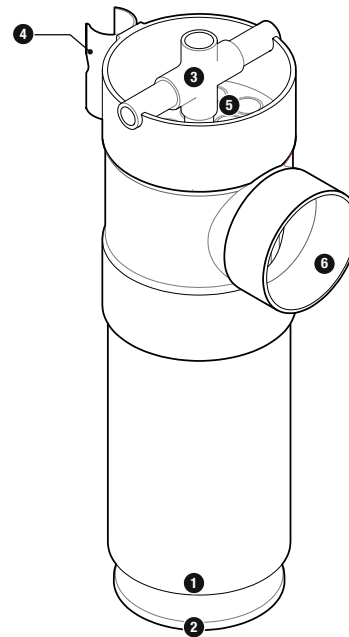
Performance

Biotube mesh opening, in (mm)*	0.125 (3)
Total filter flow area, ft ² (m ²)	1.9 (0.18)
Total filter surface area, ft ² (m ²)	6.3 (0.59)

*0.062in (1.6mm) filter mesh available



Side cutaway view, PSC-series filter cartridge



Isometric view, PSC-series effluent filter

- | | |
|--------------------|-----------------------------------|
| 1 Filter inlet end | 4 Float switch bracket (optional) |
| 2 Deflector plate | 5 Biotube filter cartridge |
| 3 Handle | 6 Filter outlet |