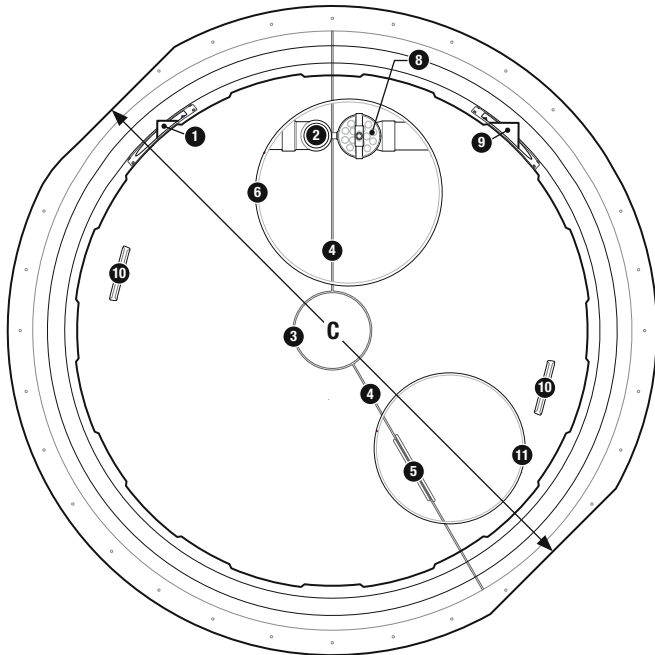


Side sectional view



Top sectional view

- 1 Inlet
- 2 Inlet tee
- 3 Support column
- 4 Baffle wall (full-length)
- 5 Baffle flow-through
- 6 Access riser
- 7 Access lid
- 8 Biotube filter
- 9 Outlet
- 10 Lifting bracket
- 11 Secondary access riser

Tank, Riser, and Lid

The Prelos 1500 Processor's meander-style tank has a patented design for superior performance. It's tough, impact-resistant, and light enough to install with small equipment. The 30in (750mm) diameter primary access riser, optional 24in (600mm) diameter secondary riser, and access lids are designed to provide strong, secure access to components.

Materials of Construction

Access lid	Fiberglass, structural foam
Access lid hardware	Stainless steel
Access riser	Fiberglass
Baffle wall	ABS
Inlet and inlet tee	Fiberglass, ABS
Outlet	Fiberglass, ABS
Support column	PVC, ABS
Tank body	DCPD

Dimensions

A. Tank height, in (mm)	72 (1829)
B. Tank outside diameter, in (mm)	105 (2667)
C. Tank width, flat-to-flat, in (mm)	101 (2565)
D. Lid outside diameter, in (mm)	33 (838)
E. Standard riser inside diameter, in (mm)	29.5 (749)
F. Depth, nominal operating volume, in (mm)	57 (1448)
Optional secondary riser lid outside diameter, in (mm)	24 (610)
Optional secondary riser inside diameter, in (mm)	23.5 (597)
Tank nominal operating volume, gal (L)	1500 (5678)
Tank total volume, gal (L)	1788 (6768)
Average volume at operating depth, gal/in (L/mm)	25 (4)
Prelos Processor weight, nom, lbs (kg)	660-770 (300-350)

PSC-Series Biotube Effluent Filter

The PSC-series Biotube effluent filter used in the Prelos 1500 Gravity Processor is designed for effective filtration of solids from liquid effluent, before the effluent is transported to a liquid-only sewer, other collection system, or dispersal. The passively self-cleaning design extends maintenance cycle intervals.

Materials of Construction

Housing	PVC, ABS
Filter tubes	Polypropylene
Handle assembly	Sch. 40 PVC
Screws	Stainless steel

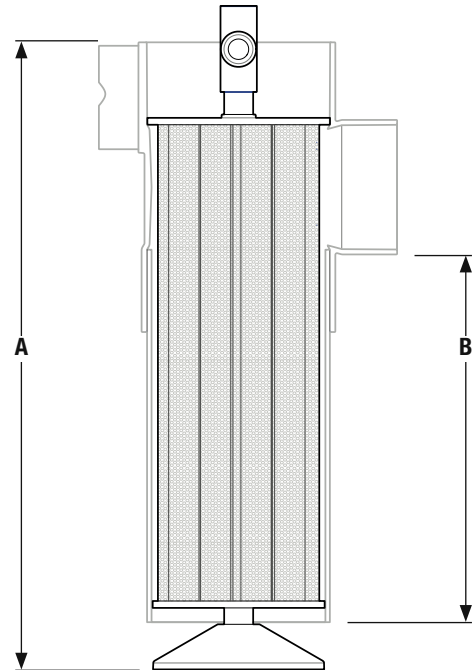
Dimensions in (mm)

A. Overall height	22.7 (577)
B. Height to invert	13.5 (343)

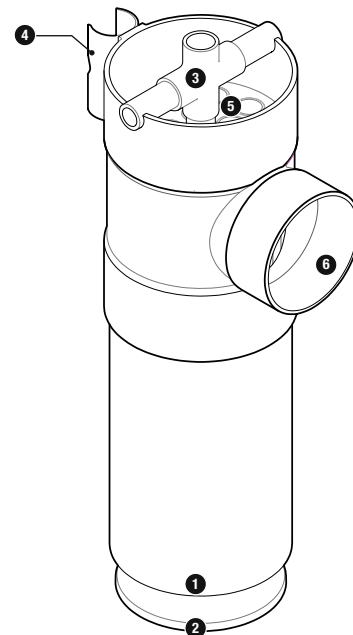
Performance

Biotube mesh opening, in (mm)*	0.125 (3)
Total filter flow area, ft ² (m ²)	1.9 (0.18)
Total filter surface area, ft ² (m ²)	6.3 (0.59)

*0.062in (1.6mm) filter mesh available



Side cutaway view, PSC-series filter cartridge



Isometric view, PSC-series effluent filter

- ① Filter inlet end
- ② Deflector plate
- ③ Handle
- ④ Float switch bracket (optional)
- ⑤ Biotube filter cartridge
- ⑥ Filter outlet